





Office Furniture & Partition

Ista Layout Designers Company (Ista Furniture) started its new activity in the summer of 2011 with a group of experienced and renowned managers in the wood and furniture industry. The gathering of these managers and experienced personnel was able to pave the way for a new way and look in this industry. Ista company is currently operating in Mahdasht Karaj in an area of 20,000 square meters, including 4,000 square meters of sheds and two production lines equipped with modern wood industry machines, in order to produce and serve customers as much as possible. Ista has now introduced its new models to the domestic market and has drawn a generation of attractive, new and functional ideas as a roadmap for the future. We have new words in this old industry, and despite this, a static strategy has been formed with the focus of providing products for different groups of people, with different purchasing power. In this regard, we believe that quality is the main factor of progress and reaching a position worthy of Ista's name and brand. Ista is the leading manufacturer of office furniture and partitions, with Swiss QS certification. The ability and equipment available in the factory has made it possible for Ista company to produce all kinds of models with any degree of difficulty.



 MANAGEMENT <small>Series</small>	04
 ASSISTANCE <small>Series</small>	32
 CREDENZA	54
 CONFERENCE <small>Desks</small>	73
 EXECUTIVE <small>Series</small>	96
 CLERK <small>Series</small>	109
 WORKSTATION <small>Desks</small>	124
 MODULAR <small>Desks</small>	137
 RECEPTION <small>Desks</small>	141
 SHELVES	156
 FILINGS	164
 COFFEE TABLE	167

MANAGEMENT Series

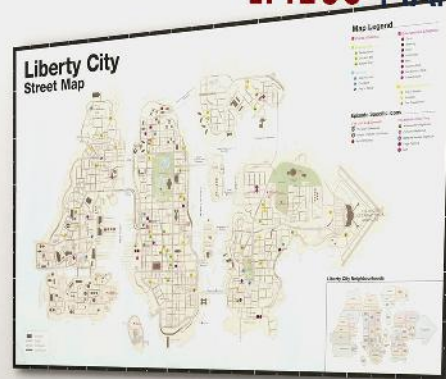


As the name suggests, the management desk is designed for managers.

Management desks have differences and special features compared to other existing desks that distinguish this product from other products.

The management desk represents the manager's position. The facilities that the management desk provides to managers should be appropriate to their position. If you intend to buy the best and highest quality desk to manage your collection, you can contact Ista consultants for free.

MANAGEMENT
Series



IM-100

IM100 management desk is a **classical** desk with standard dimensions of 220 * 90 cm. You can create a classical management environment by combining this product with the following products: ICT100 , ICO100 , ICR100 , IML100



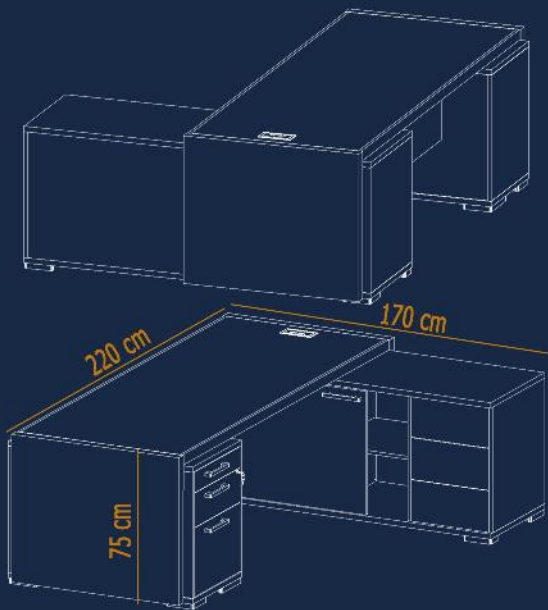
IM-100





IM-200

IM200 management desk is a **neoclassical** desk with standard dimensions of 220 * 170 cm. You can create a neoclassical management environment by combining this product with the following products: ICT200 , ICO200 , ICR200



IM-200



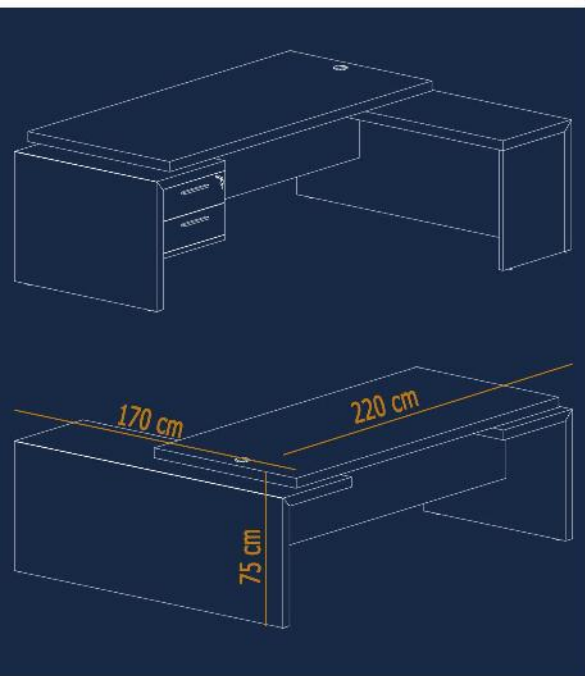
IM300-MANAGEMENT

Series



IM-300

IM300 management desk is a **classical** desk with standard dimensions of 220 * 170 cm. You can create a classical management environment by combining this product with the following products: IML300 , ICO300 , ICR300 , ICT300-120 , ICT300-60



IM-300



IML300:

Is an independent product designed according to the special features of the IM 300 management desk. The length and width of this table is 75x47 cm and its height is 60 cm.

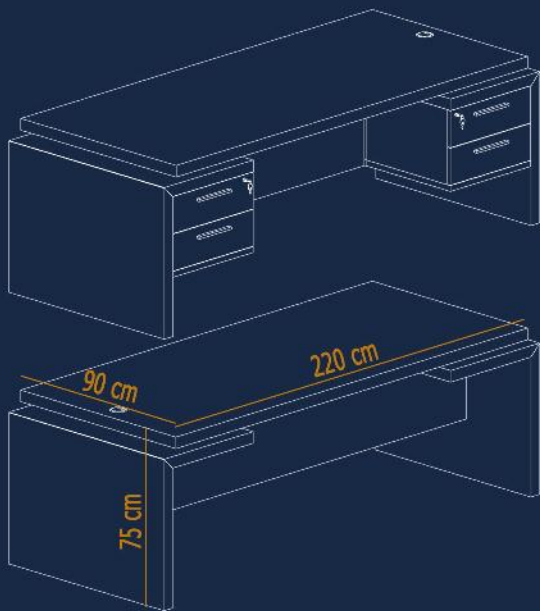
IM300-2-MANAGEMENT

Series



IM-300-2

IM300-2 management desk is a **classical** desk with standard dimensions of 220 * 90 cm. You can create a classical management environment by combining this product with the following products: IML300 , ICO300 , ICR300 , ICT300-120 , ICT300-60



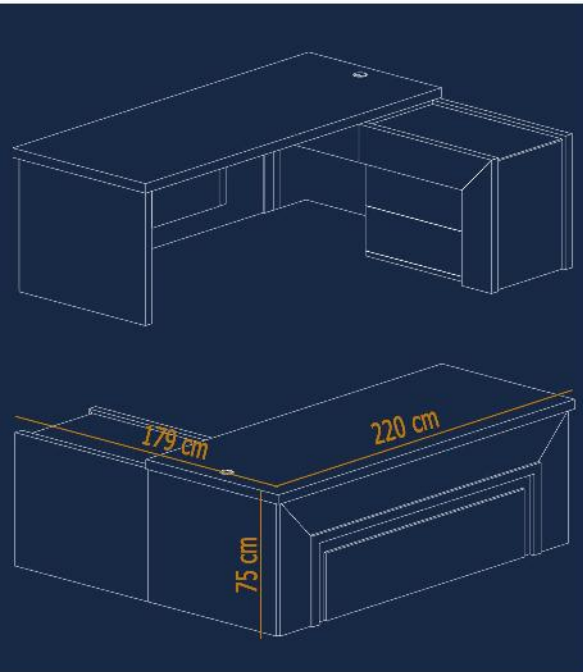
IM400-1-MANAGEMENT

Series



IM-400-1

IM300-2 management desk is a **neoclassical** desk with standard dimensions of 220 * 179 cm. You can create a neoclassical management environment by combining this product with the following products:
ICR400



IM-400-1



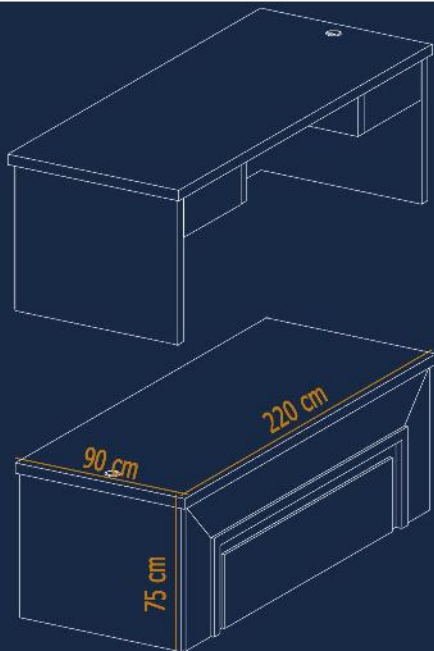
IM400-2-MANAGEMENT

Series



IM-400-2

IM400-2 management desk is a **neoclassical** desk with standard dimensions of 220 * 90 cm. You can create a neoclassical management environment by combining this product with the following products:
ICR400

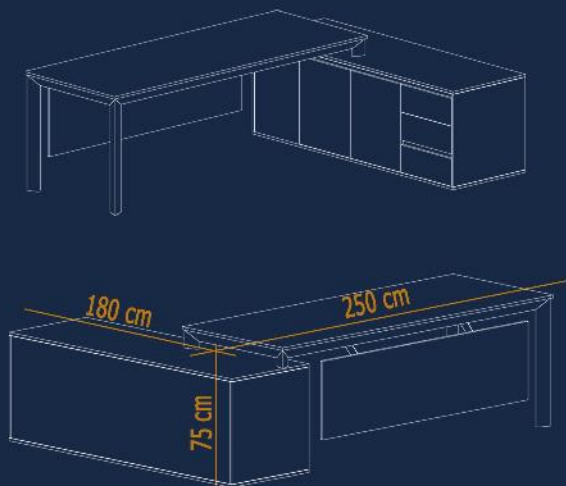




IM-500

IM500 management desk is a **modern** desk with standard dimensions of 250 * 180 cm. You can create a modern management environment by combining this product with the following products:

ICR500



IM550-MANAGEMENT

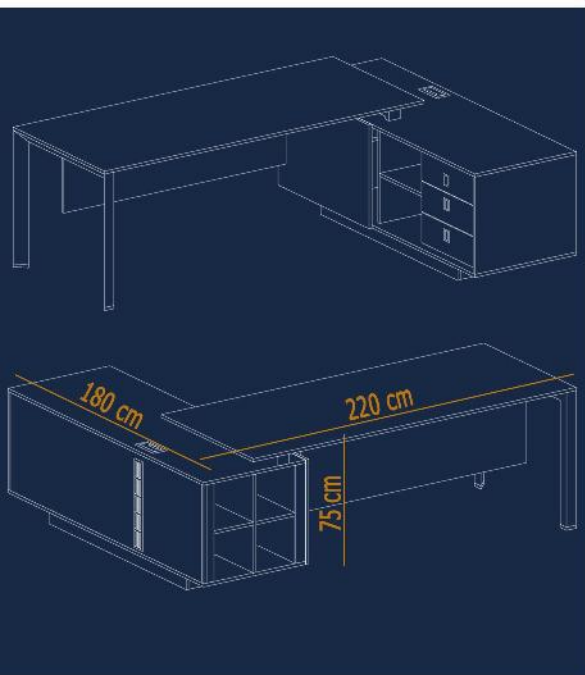
Series



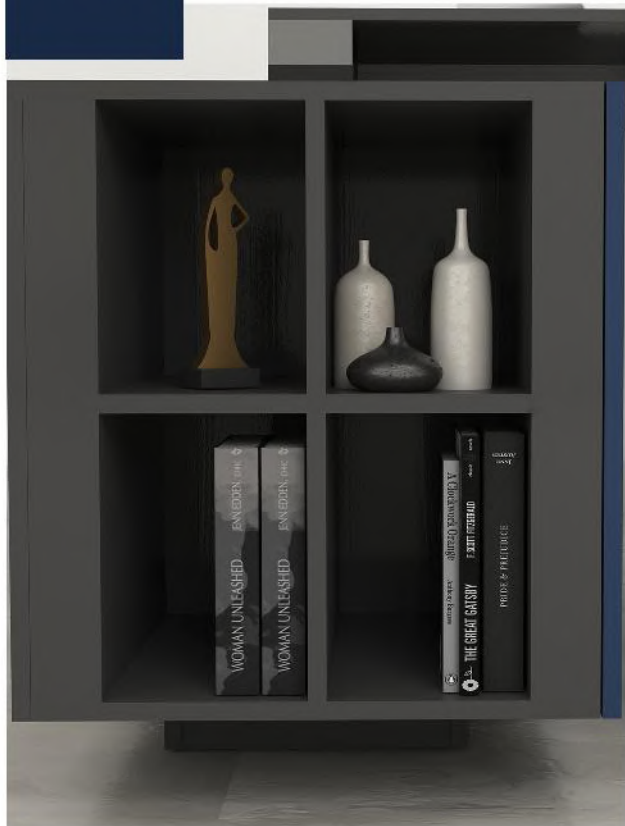
IM-550

IM550 management desk is a **modern** desk with standard dimensions of 220 * 180 cm. You can create a modern management environment by combining this product with the following products:

ICR550



IM-550



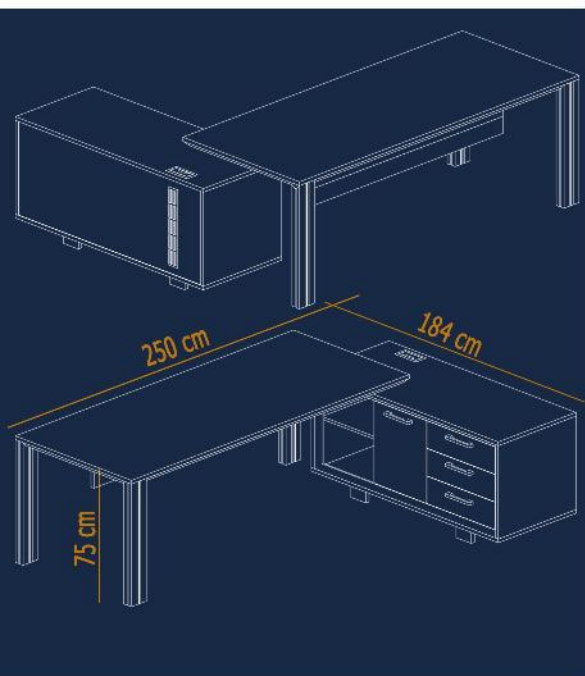
IM600-MANAGEMENT

Series



IM-600

IM600 management desk is a **modern** desk with standard dimensions of 250 * 184 cm. You can create a modern management environment by combining this product with the following products: ICR600 , ICO600 , ICT600





Electric box:

As its name suggests, the desktop box is actually a metal box with a number of ports embedded in it, the number and type of which varies depending on the customer's needs and requests. The main use of this vsp panel is in management rooms, conference rooms, educational spaces, etc.

USB, HDMI, RCA, VGA, Audio ports, as well as the Power outlet port are the most widely used ports in the mentioned spaces.

IM900-MANAGEMENT

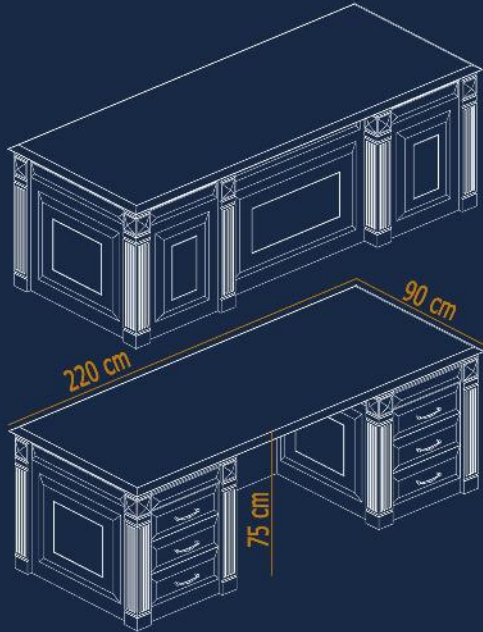
Series



IM-900

IM900 management desk is a **classical** desk with standard dimensions of 220 * 90 cm. You can create a classical management environment by combining this product with the following products:

ICO900 , ICR900 , IML900 , ICO900-3 , ICO900-2
ICO900-1 , ICT900-120 , ICT900-60



IM-900



IML900:

Is an independent product designed according to the special features of the IM 300 management desk. The length and width of this table is 100x60 cm and its height is 75 cm.

ASSISTANCE Serise



The assistance's desk should have proper access according to the assistance busy schedule.

The assistance's desk is smaller than the management desk, but in its design, we have tried to consider all the aspects and needs of a deputy.

Of course, the reason for this name does not mean that other businesses with other ratings cannot use these desk. The reason for these names is only for the division of products and also for the convenience of you customers in choosing a desk for your company.

IA100-1-ASSISTANCE

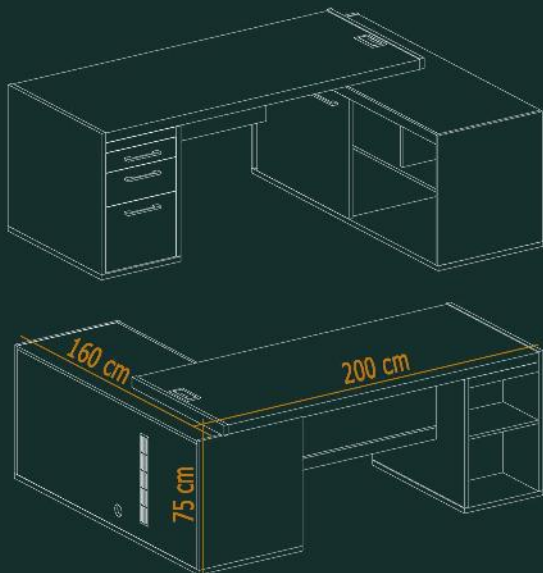
Series



IA-100-1

IA100-1 assistance desk is a **classical** desk with standard dimensions of 200 * 160 cm.

This product is one of the products that can be used for a long time by changing different decorations without getting tired of the design or reducing its useful life.



IA-100-1



IA100-2-ASSISTANCE

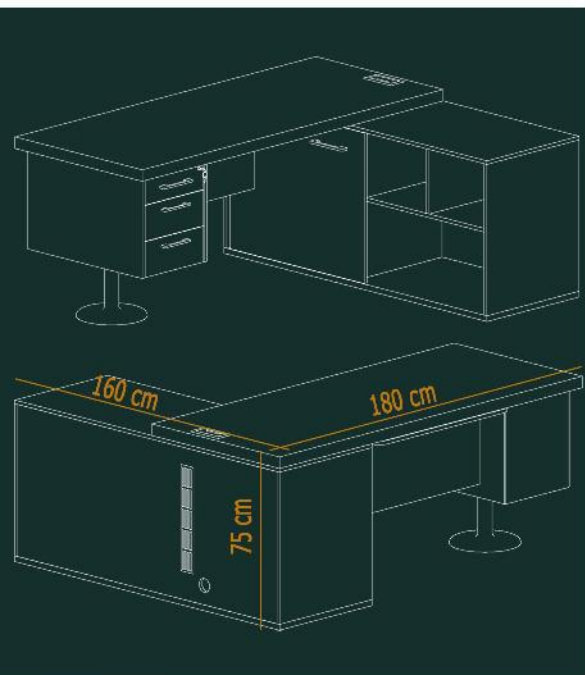
Series



IA-100-2

IA100-2 assistance desk is a **classical** desk with standard dimensions of 180 * 160 cm.

This product is one of the products that can be used for a long time by changing different decorations without getting tired of the design or reducing its useful life.



IA-100-2



IA200-ASSISTANCE

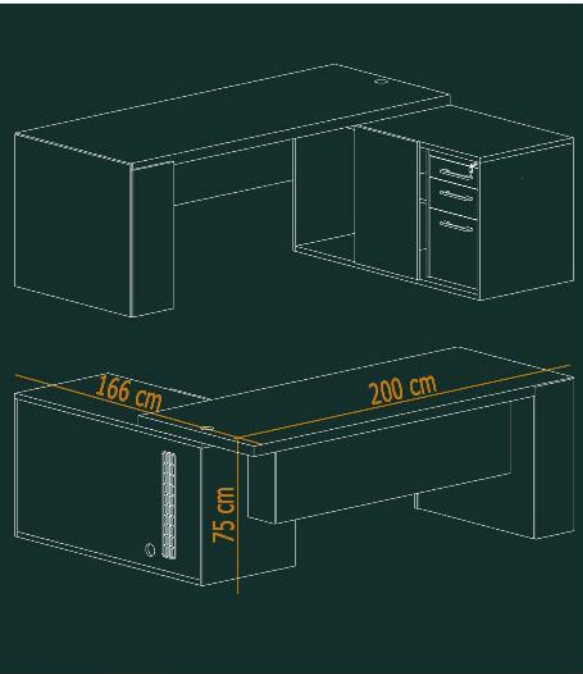
Series



IA-200

IA200 assistance desk is a **classical** desk with standard dimensions of 200* 166 cm.

This product is one of the products that can be used for a long time by changing different decorations without getting tired of the design or reducing its useful life.



IA-100-2



IA300-ASSISTANCE

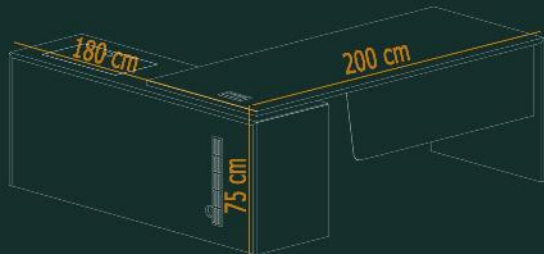
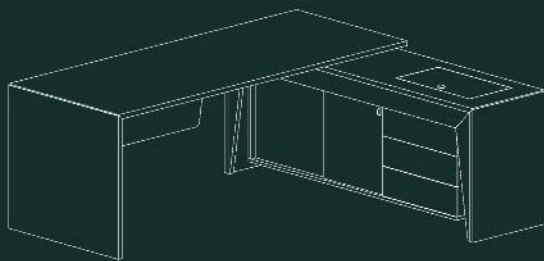
Series



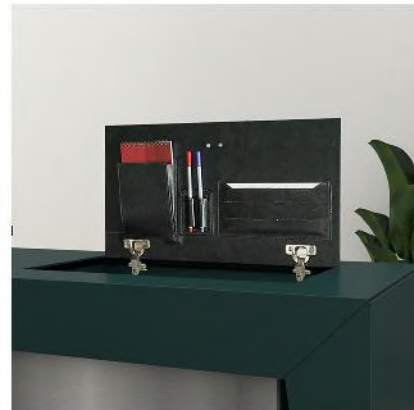
IA-300

IA300 assistance desk is a **neoclassical** desk with standard dimensions of 200 * 180 cm.

This product is one of the products that can be used for a long time by changing different decorations without getting tired of the design or reducing its useful life.



IA-300

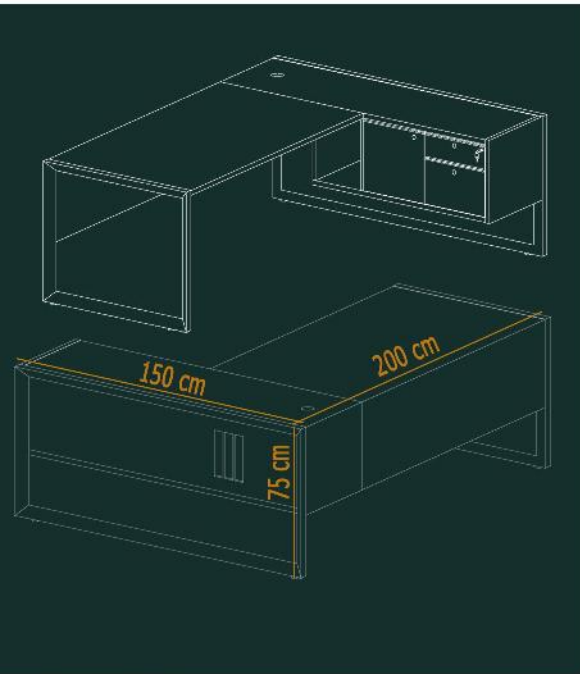




IA-400

IA400 assistance desk is a **modern** desk with standard dimensions of 200 * 150 cm.

This product is one of the products that can be used for a long time by changing different decorations without getting tired of the design or reducing its useful life.



IA-400



IA400 office desk is one of the subset of ista products with metal bases coated with electrostatic paint.

Some advantages of electrostatic paint:

- High resistance to impact and wear
- Environment lover
- Excellent mechanical properties and appearance
- Very low fire risk

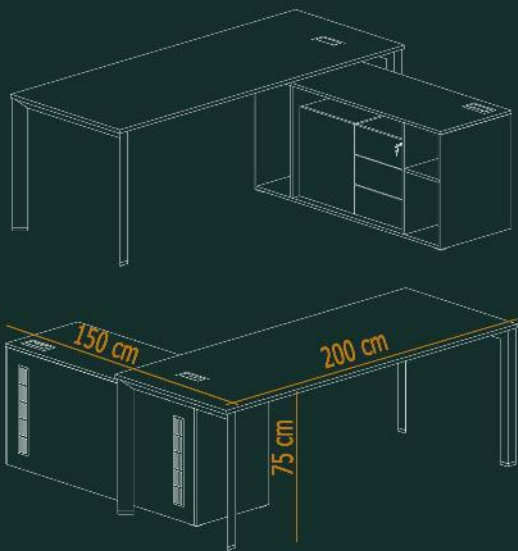
IA500-ASSISTANCE Series



IA-500

IA500 assistance desk is a **modern** desk with standard dimensions of 200 * 150 cm.

This product is one of the products that can be used for a long time by changing different decorations without getting tired of the design or reducing its useful life.



IA-500



The main components of the IA500 table are designed **separately** so that the user can change the arrangement of the table according to her needs.

This feature allows the user to use this product instead of multiple products

IA-500

The main components of the IA500 table are designed **separately** so that the user can change the arrangement of the table according to her needs. This feature allows the user to use this product instead of multiple products

For example:

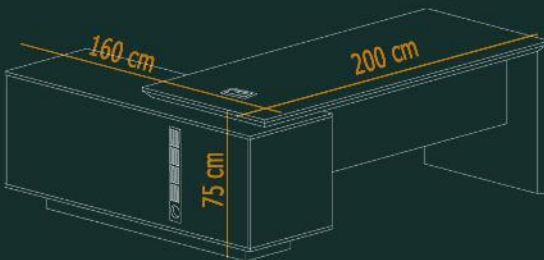
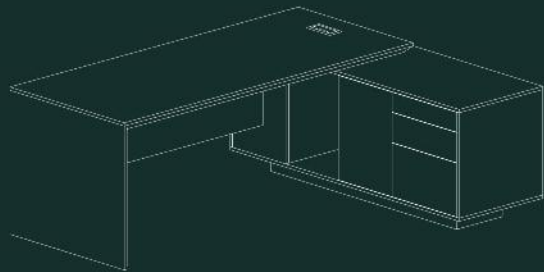
By moving the discrete cabinet of this product, you can change its right or left side, or easily turn the IA500 **management desk** into a **conference table**.





IA600 assistance desk is a **modern** desk with standard dimensions of 200 * 160 cm.

This product is one of the products that can be used for a long time by changing different decorations without getting tired of the design or reducing its useful life.





CREDENZA

In Italian, *credenza* means "belief" or "confidence," and confidence is what members of a noble or royal family needed before eating in the Middle Ages and Renaissance. Poisoning by enemies was a constant danger. As a result, it was customary for members of the royal or aristocratic families to ask the servant to taste the food and drink after leaving the kitchen and before serving. Tasting was done in a dining room at a table, and the name of the side table became *credenza* in Italy.

In fact, this piece of office furniture can be described like this. A long and spacious closet that is placed horizontally on the floor is a table with very short legs and sliding doors. This stylish and versatile piece, which was originally designed for the dining room, can usually be used in any room of the house.

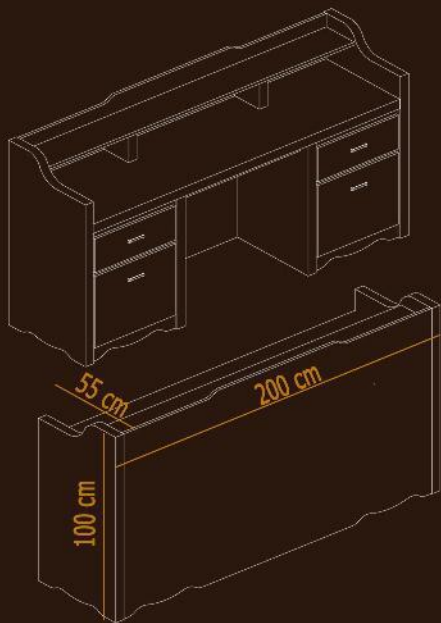
CREDENZA



ICR-100

ICR100 is one of the classic products with standard dimensions of 200 x 55 cm.

This product is one of the very practical products that can be easily matched with different decorations and spaces.

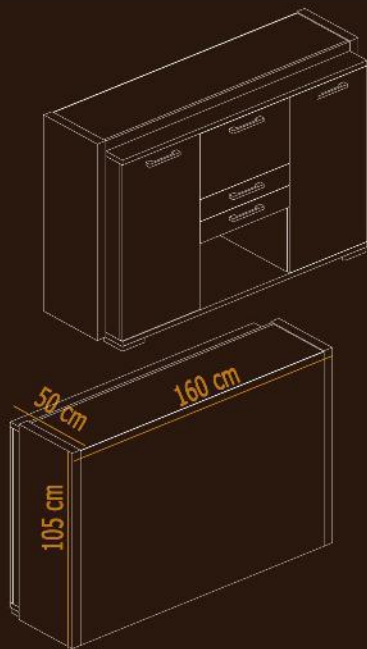




ICR-200

ICR200 is one of the **Neoclassical** products with standard dimensions of 160 x 50 cm.

This product is one of the very practical products that can be easily matched with different decorations and spaces.

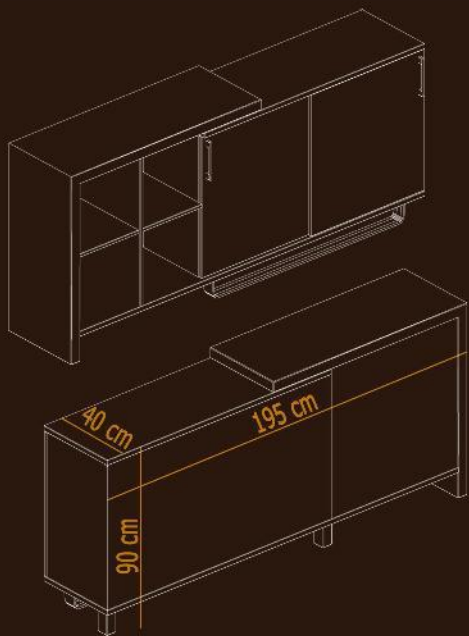




ICR-300

ICR300 is one of the **Neoclassical** products with standard dimensions of 195 x 40 cm.

This product is one of the very practical products that can be easily matched with different decorations and spaces.

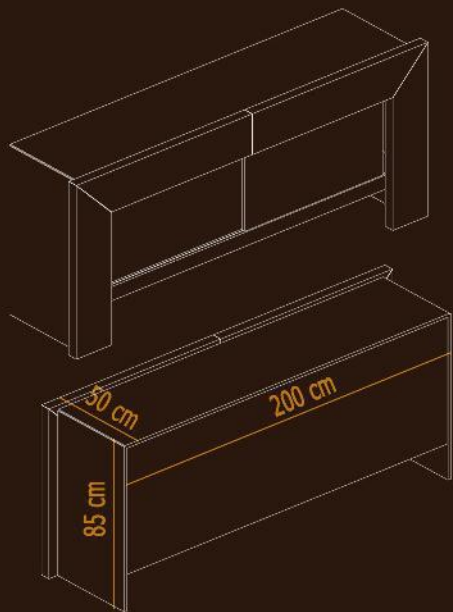




ICR-400

ICR400 is one of the **Neoclassical** products with standard dimensions of 200 x 50 cm.

This product is one of the very practical products that can be easily matched with different decorations and spaces.



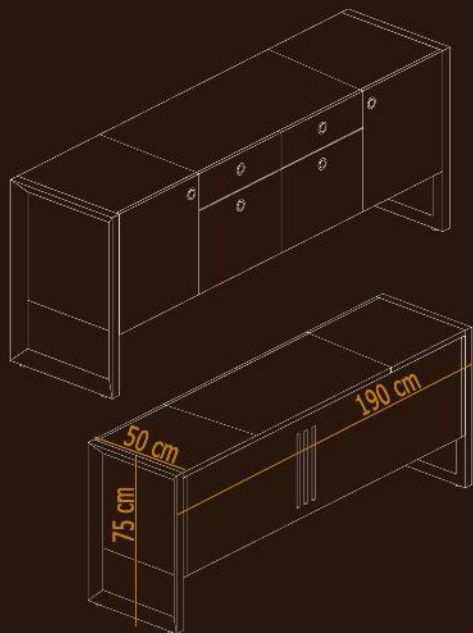
ICRA400-CREDENZA



ICRA-400

ICRA 400 is one of the **modern** products with standard dimensions of 190 x 50 cm.

This product is one of the very practical products that can be easily matched with different decorations and spaces.



ICR500- CREDENZA



ICR-500

ICR 500 is one of the **modern** products with standard dimensions of 190 x 50 cm.

This product is one of the very practical products that can be easily matched with different decorations and spaces.

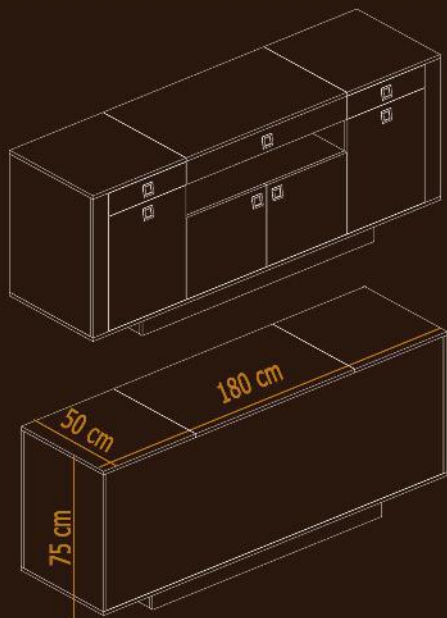




ICR-550

ICR550 is one of the **Neoclassical** products with standard dimensions of 180 x 50 cm.

This product is one of the very practical products that can be easily matched with different decorations and spaces.



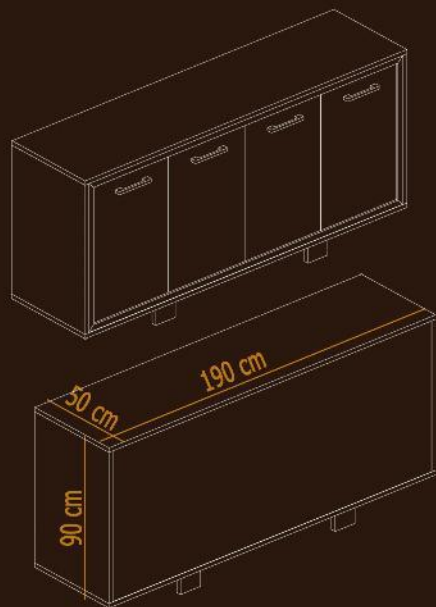
ICR600-CREDENZA



ICR-600

ICR600 is one of the **modern** products with standard dimensions of 190 x 50 cm.

This product is one of the very practical products that can be easily matched with different decorations and spaces.

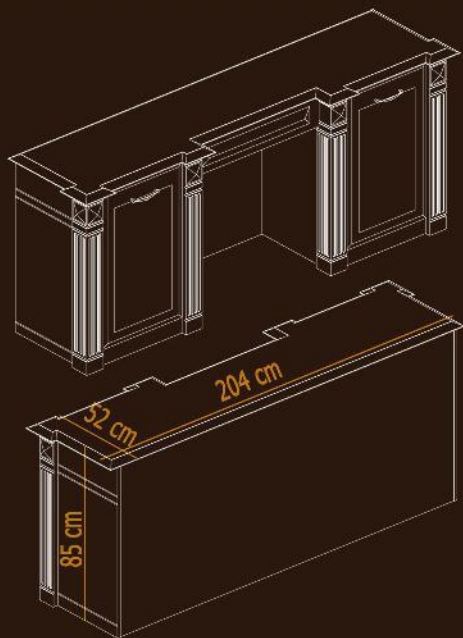




ICR-900

ICR900 is one of the classic products with standard dimensions of 204 x 52 cm.

This product is one of the very practical products that can be easily matched with different decorations and spaces.



CONFERENCE Desk



Conference tables are one of the most important tables in every office. The most important meetings are held at these tables and important collective decisions are made. Some people think that the conference table is only for meeting rooms and conference rooms, but this is not the case.

In addition to meeting rooms, conference tables are usually found in the executive and vice president rooms of large complexes. In some offices, instead of the conference room, meetings are held in the management room. Office Furniture and Static Partition Company is a designer and manufacturer of conference tables. The superior feature of Ista compared to other similar companies is the presence of different tables. This means that your management desk and conference tables can complement each other. Paying attention to superior quality and design is one of the most important reasons for Ista's effective presence in the office furniture industry.

CONFERENCE
Desk

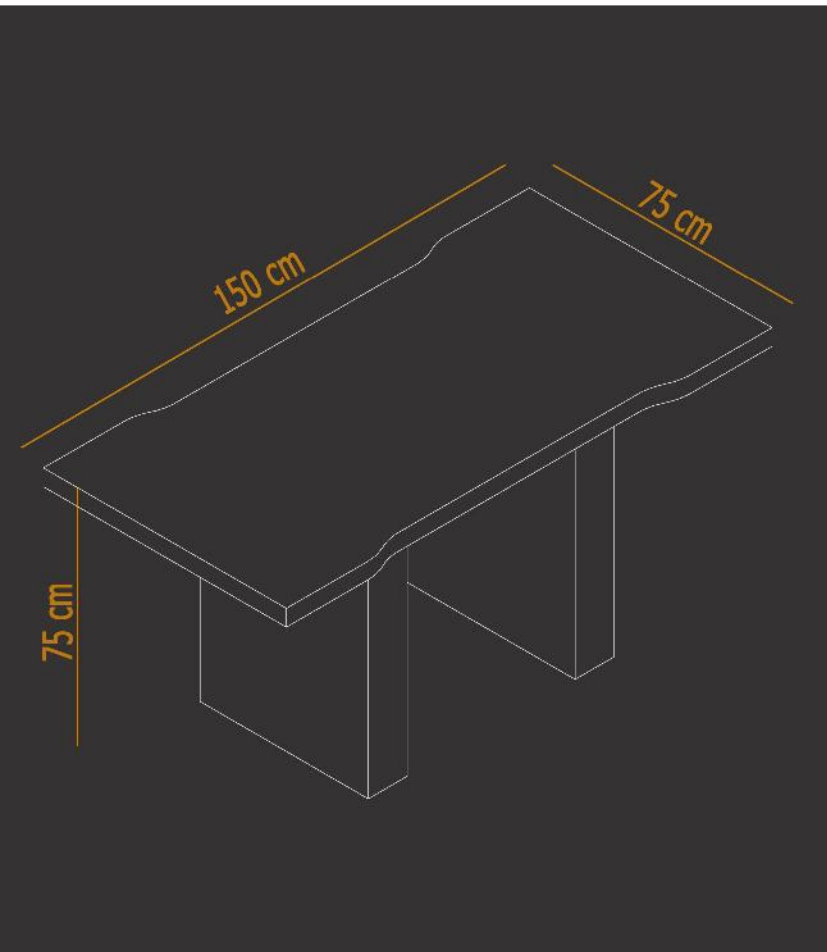
ICO100-75-CONFERENCE Desk



ICO-100-75

ICO100-75 conference desk is a **classic** desk with standard dimensions of 150 x 75 cm. You can create a classic environment by combining this product with the following products:

IM100, ICO100-150, ICR100, IML100



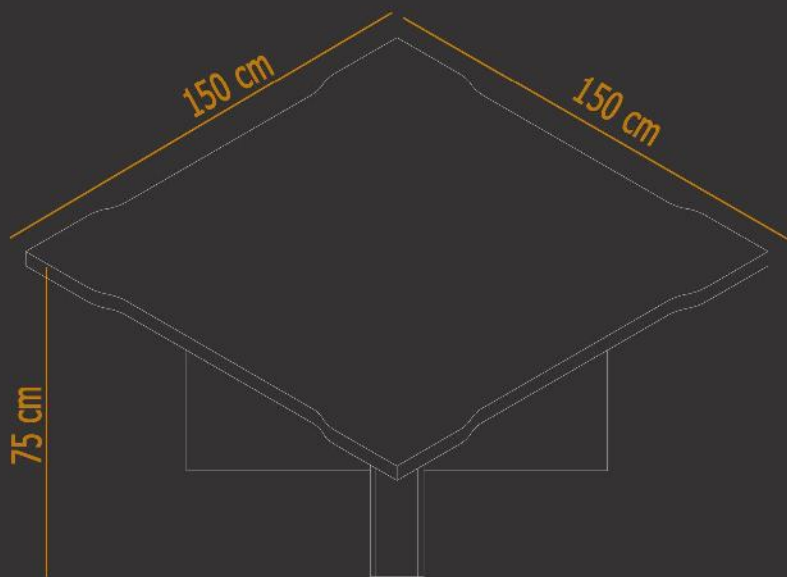
ICO100-150-CONFERENCE Desk



ICO-100-150

ICO100-150 conference desk is a **classic** desk with standard dimensions of 150 x 150 cm. You can create a classic environment by combining this product with the following products:

IM100, ICO100-75, ICR100, IML100

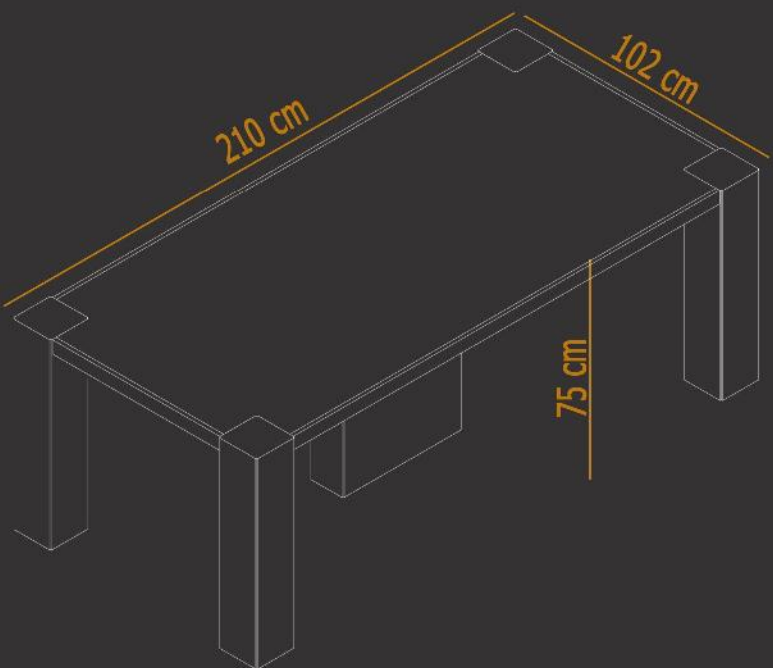


ICO200-CONFERENCE Desk



ICO-200

ICO200 conference desk is a **neoclassical** desk with standard dimensions of 210 x 102 cm. You can create a neoclassical environment by combining this product with the following products: ICT200, ICR200, IM200



ICO300-CONFERENCE

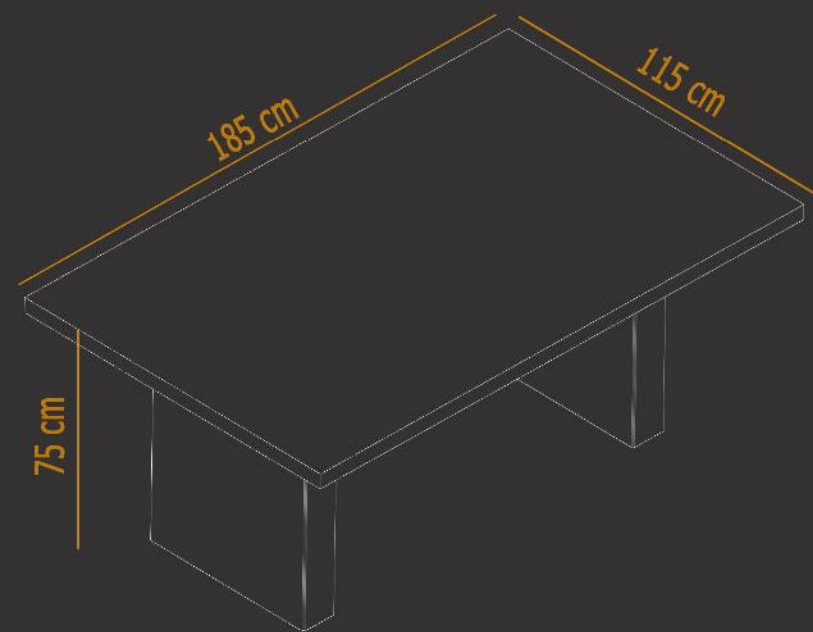
Desk



ICO-300

ICO300 conference desk is a **Classic** desk with standard dimensions of 185 x 115 cm. You can create a Classic environment by combining this product with the following products:

IM300, IML300, ICT300-120, ICT300-60



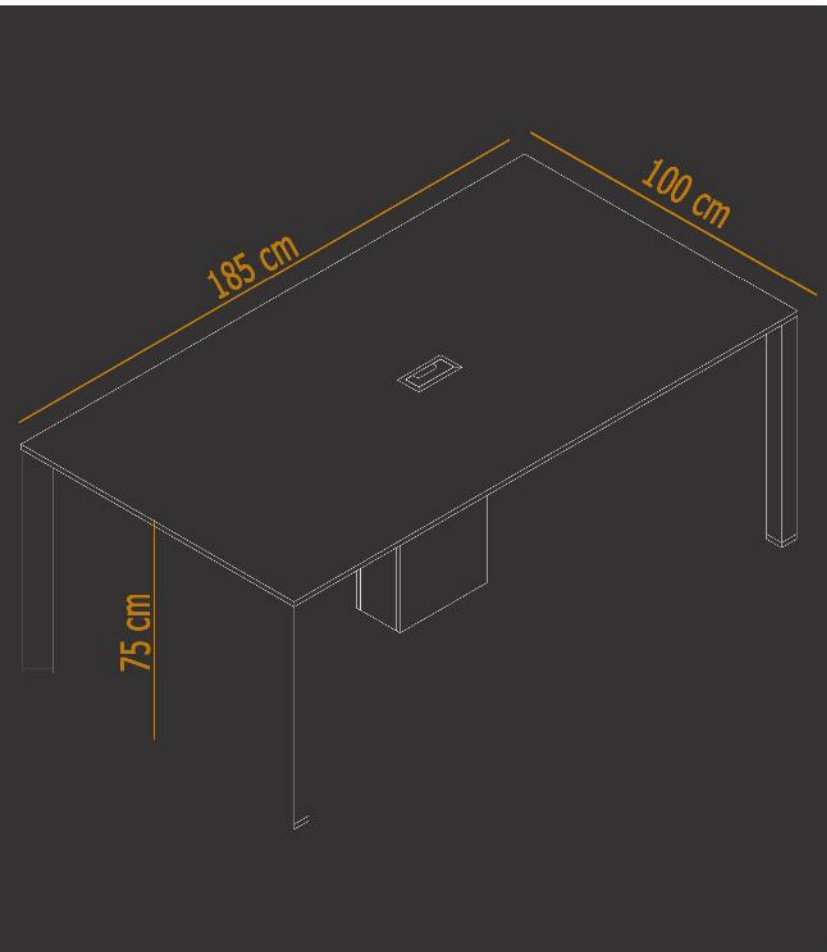
ICO550-CONFERENCE Desk



ICO-550

ICO550 conference desk is a **modern** desk with standard dimensions of 185 x 100 cm. You can create a modern environment by combining this product with the following products:

IM550



ICO600-CONFERENCE

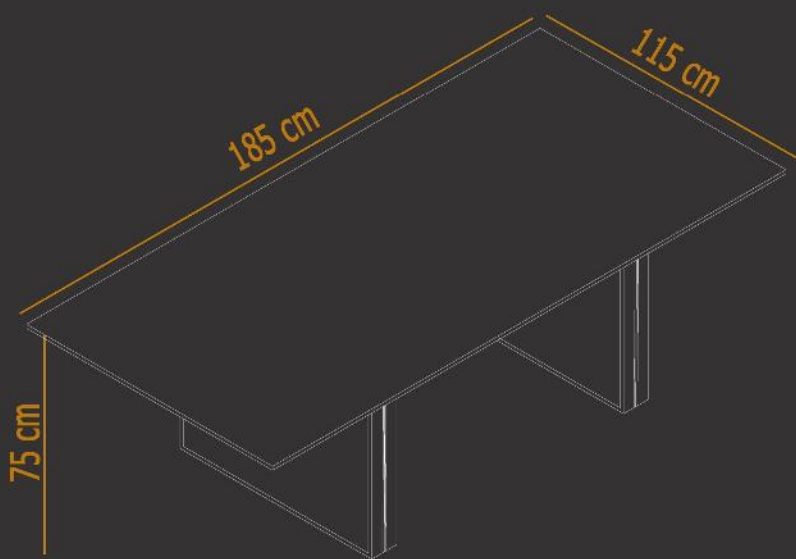
Desk



ICO-600

ICO600 conference desk is a **modern** desk with standard dimensions of 185 x 115 cm. You can create a modern environment by combining this product with the following products:

ICT600-1, ICR600, IM600



ICO800-CONFERENCE

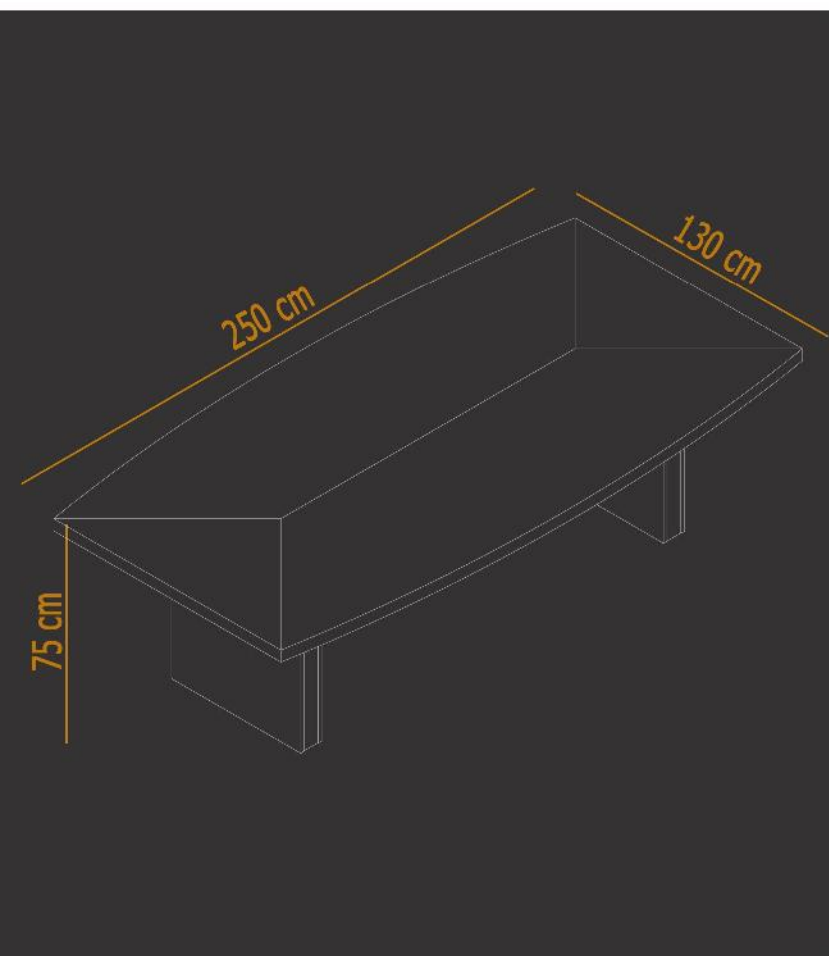
Desk



ICO-800

ICO800 conference desk is a **classic** desk with standard dimensions of 250x 130 cm. You can create a classic environment by combining this product with the following products:

ICR100, IM100



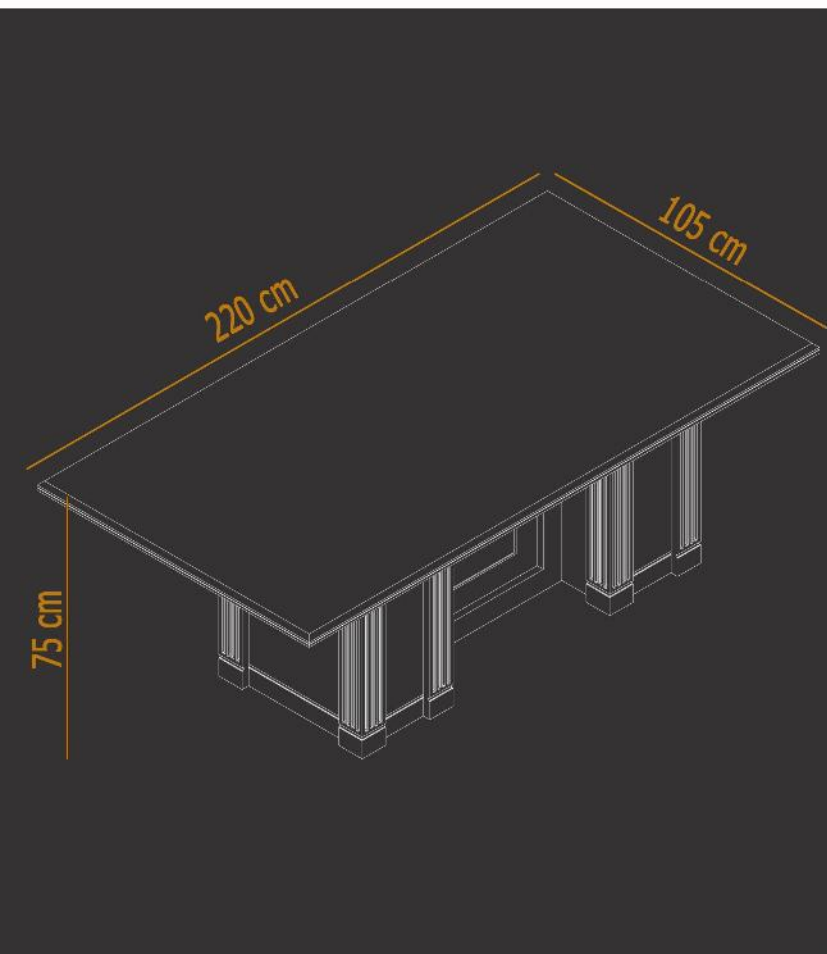
IC0900-CONFERENCE Desk



ICO-900

ICO900 conference desk is a **classic** desk with standard dimensions of 220x 105 cm. You can create a classic environment by combining this product with the following products:

ICR900, IML900, IM900, ICT900-120, ICT900-60



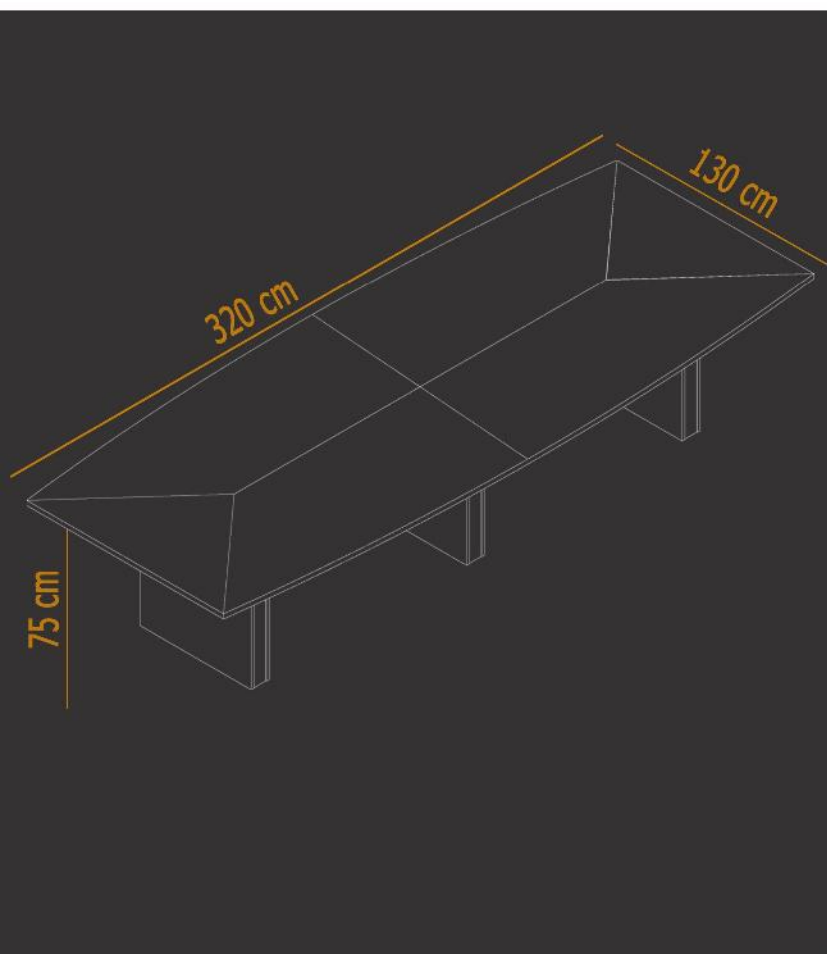
ICO1000-CONFERENCE Desk



ICO-1000

ICO1000 conference desk is a **classic** desk with standard dimensions of 320x 130 cm. You can create a classic environment by combining this product with the following products:

IM100, IA200, ICR300 &...



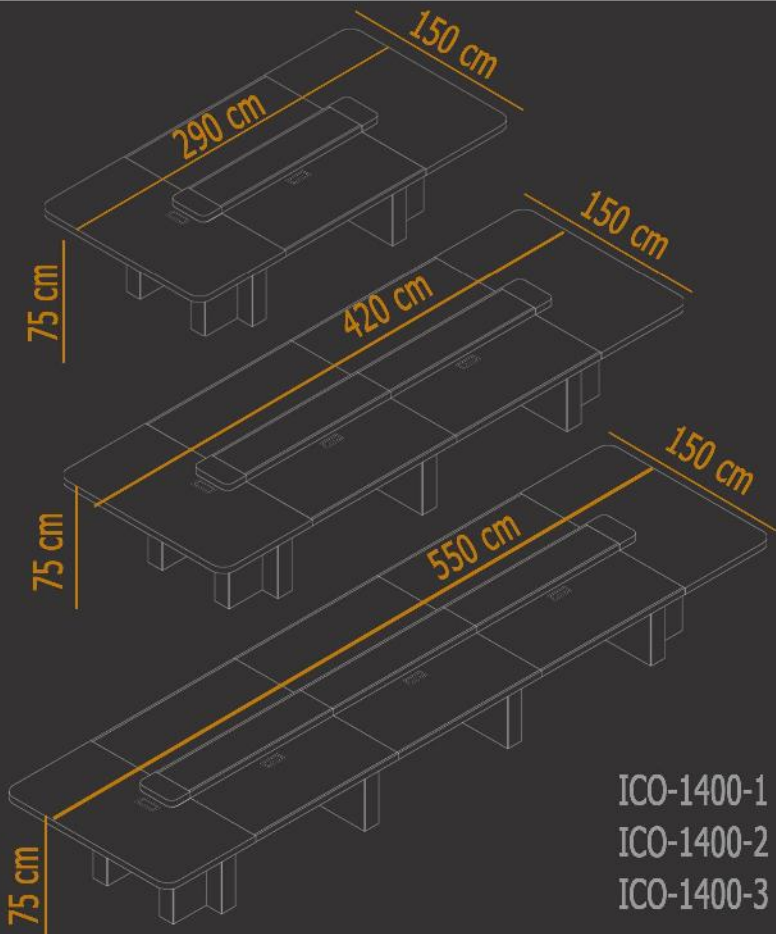
ICO1400-CONFERENCE

Series Desk



ICO-1400 series

ICO1400 conference series desks are Neoclassical desks with standard dimensions of 290x150 & 420x150 & 550x150 cm. You can create a classic environment by combining this product with the following products: IM200, IA200, ICR200



ICO-1400-1
ICO-1400-2
ICO-1400-3

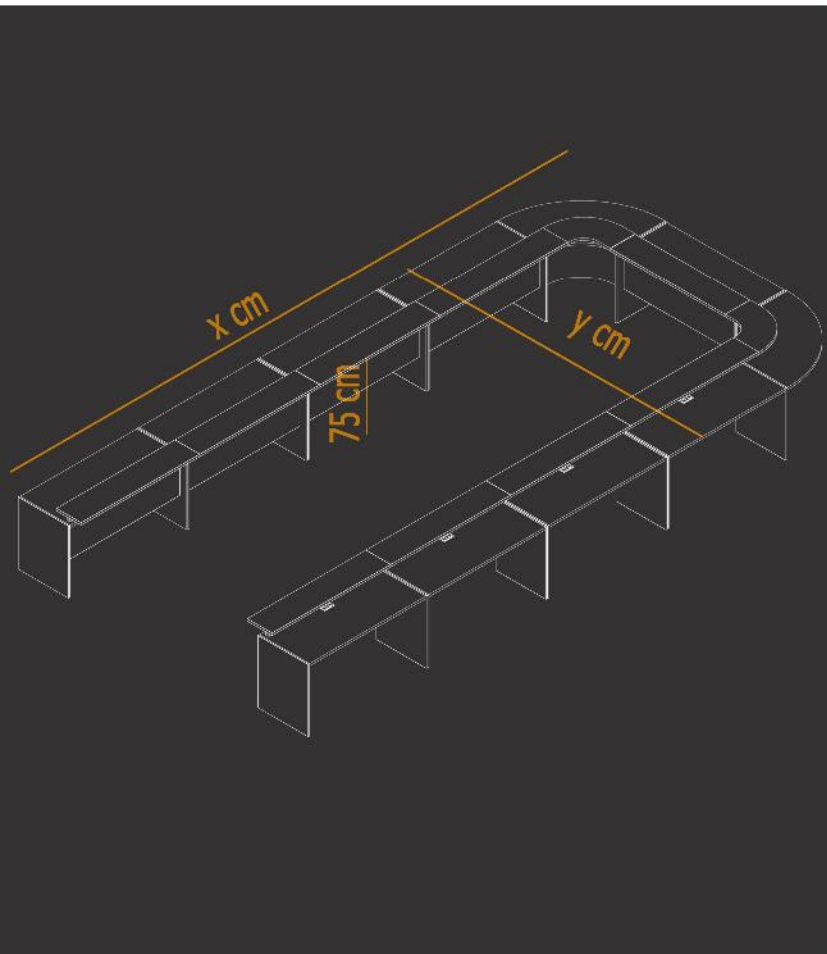


ICO3000-CONFERENCE Desk



ICO-3000

ICO3000 conference desk is a **neoclassical** desk with variable dimensions. You can create a neoclassical environment by combining this product with the following products:
IM200, IA300, &...



EXECUTIVE Serise



Every organization has a number of people in the executive category. Even today, many start-ups start and advance their work by using expert forces. Many useful spaces for experts have been considered in the design of the static expert desk. These desks are suitable for experts who need to classify documents in their work environment and have a separate space for their private and public documents. The quality of office furniture and fixed partitions will give you a comfortable and relaxed feeling about the desk. In general, the dimensions of management desks start from 140 cm and most of them have L.

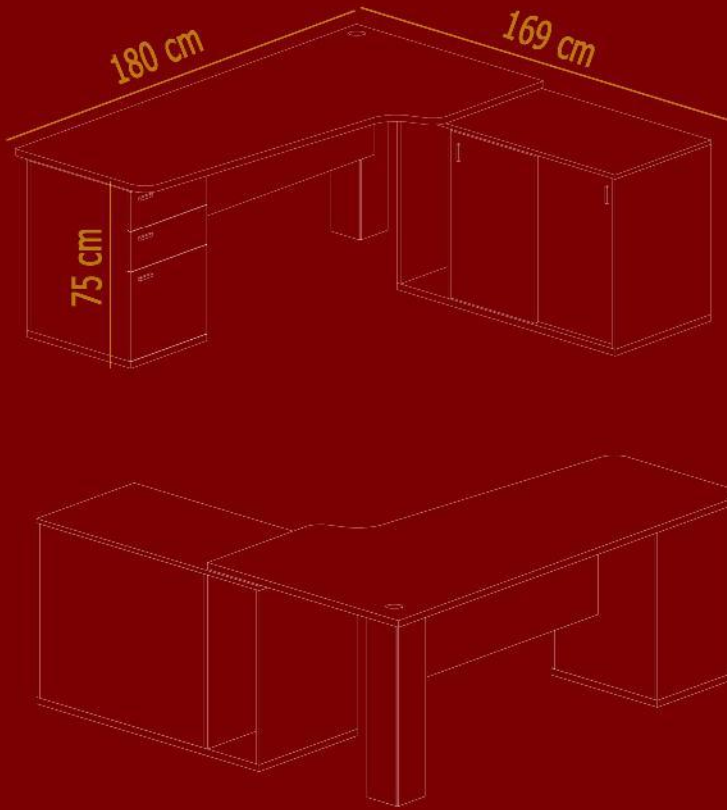
EXECUTIVE
Serise

IE100-EXECUTIVE Desk



IE-100

IE100 executive desk is a **neoclassical** desk with 180x169 cm dimensions. You can create a neoclassical environment by combining this product with the following products:
IM100, IM400-1, IC200, &...

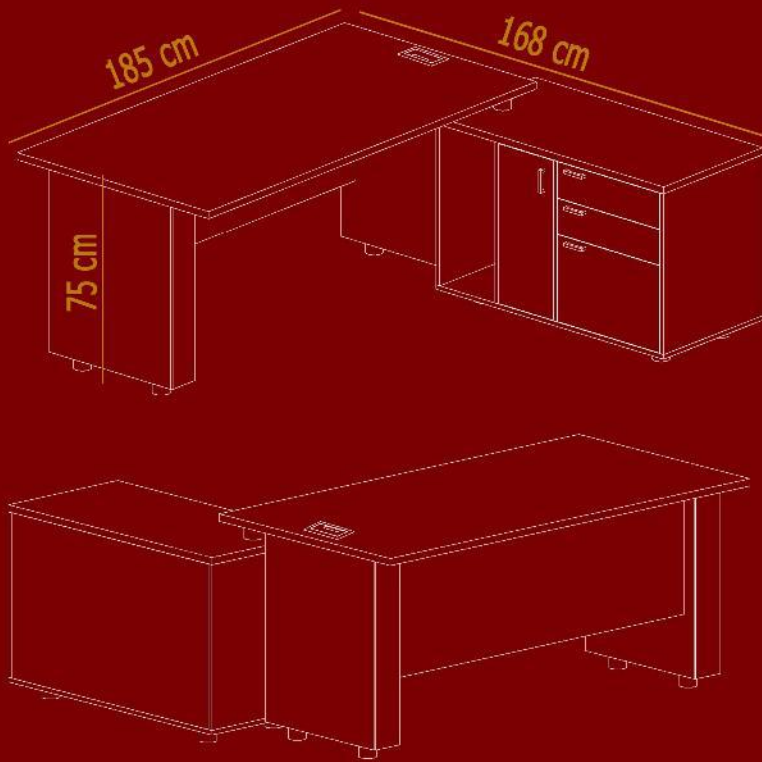


IE200-EXECUTIVE Desk



IE-200

IE200 executive desk is a classic desk with 185x168 cm dimensions. You can create a classic environment by combining this product with the following products: IM200, IC200, ICO200, ICT200 &...

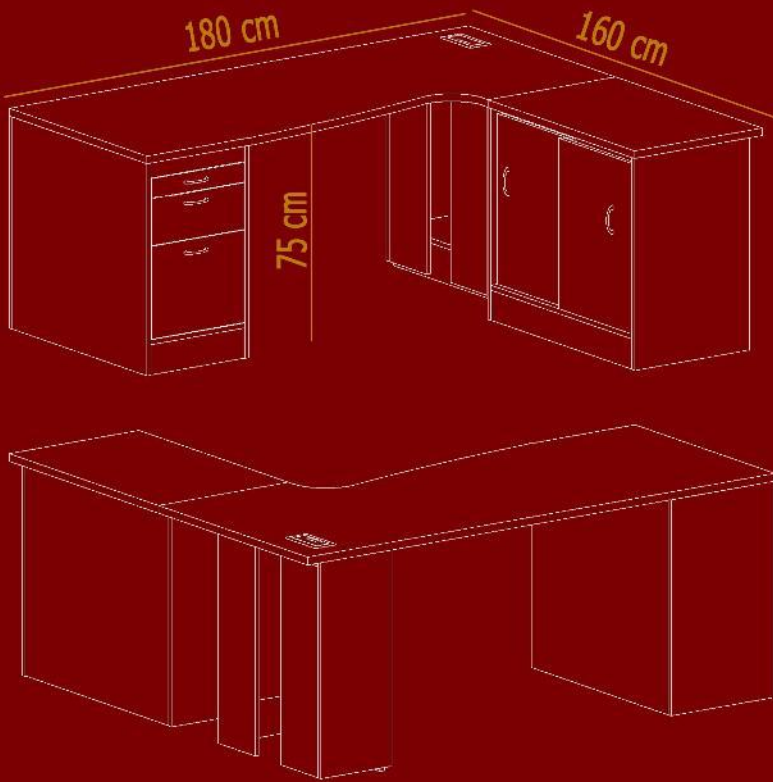


IE400-EXECUTIVE Desk



IE-400

IE400 executive desk is a classic desk with 180x160 cm dimensions. You can create a classic environment by combining this product with the following products: IM400-1, IC400, ICO300, ICO600, ICR400 &...



IE-400

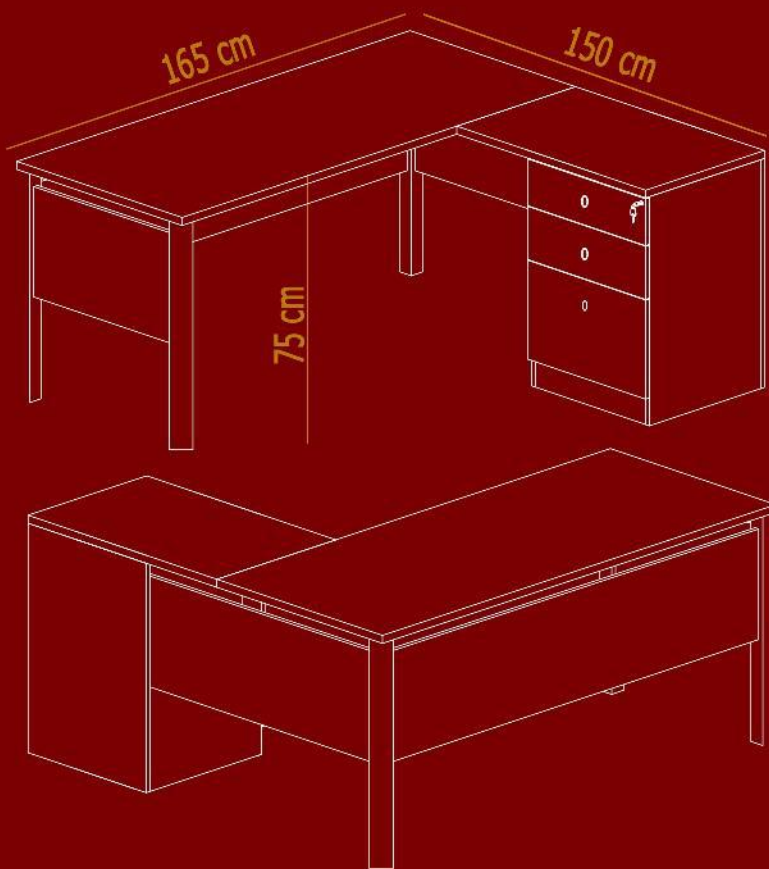


IE500-3-EXECUTIVE Desk



IE-500-3

IE500-3 executive desk is a **modern** desk with 165x150 cm dimensions. You can create a classic environment by combining this product with the following products: IM550, IA500, ICO550 &...

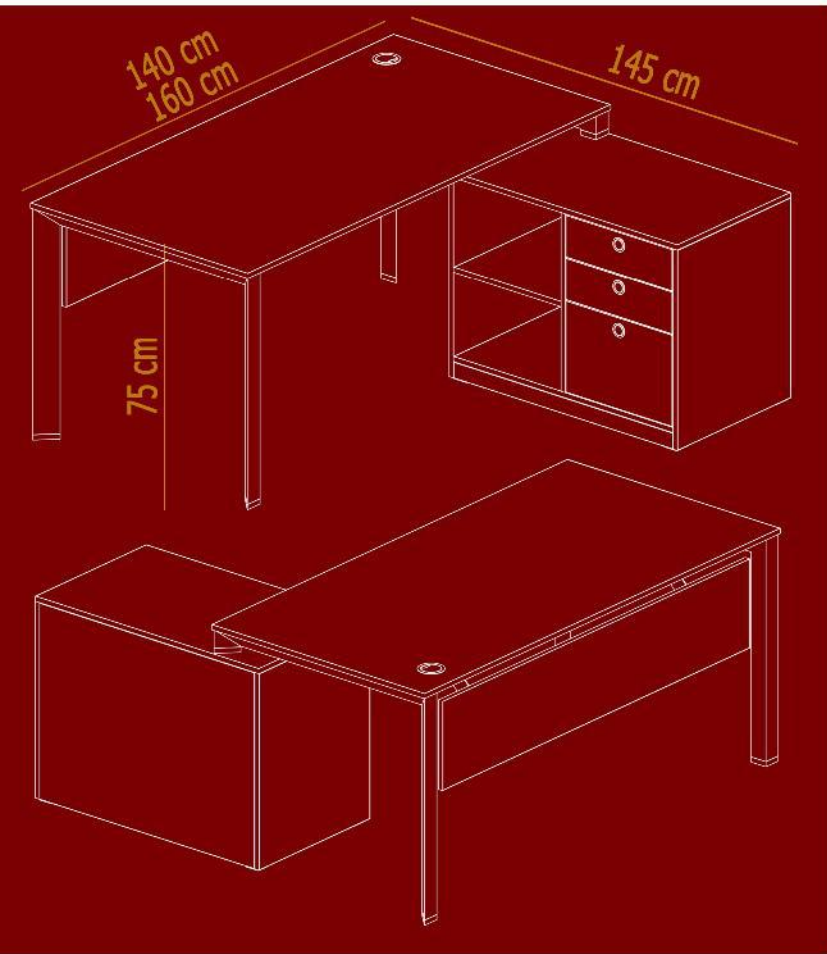


IE700-EXECUTIVE Desk



IE-700

IE700 executive desk is a **modern** desk with 140x145 cm and 160x145 cm dimensions. You can create a modern environment by combining this product with the following products:
IM550, IA500, ICO550, &...



IE-700



CLERK Serise



The staff desk is one of the most popular types of office desks. The majority of members of any group are employees, and in other words, employees are the important arm of any organization. Since employees spend most of their time at a desk therefore, choosing a table for this group is more important.

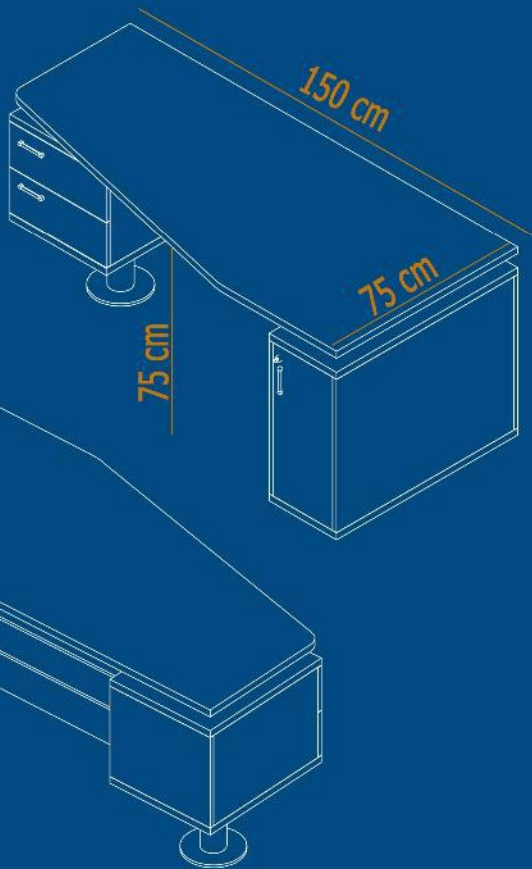
The tables of ISTA layout designers have provided maximum use for users with a unique design and use of minimum space. Desks are usually simple desks with one or more drawers. Due to the small space they occupy, these desks are also suitable for those who intend to buy a desk or a simple home desk.

IC200-CLERK Desk



IC-200

IC200 clerk desk is a **neoclassical** desk with 150x75cm dimensions. You can create a neoclassical environment by combining this product with the following products: IM100, IM400-1, ICO100-75, &...



IC-200

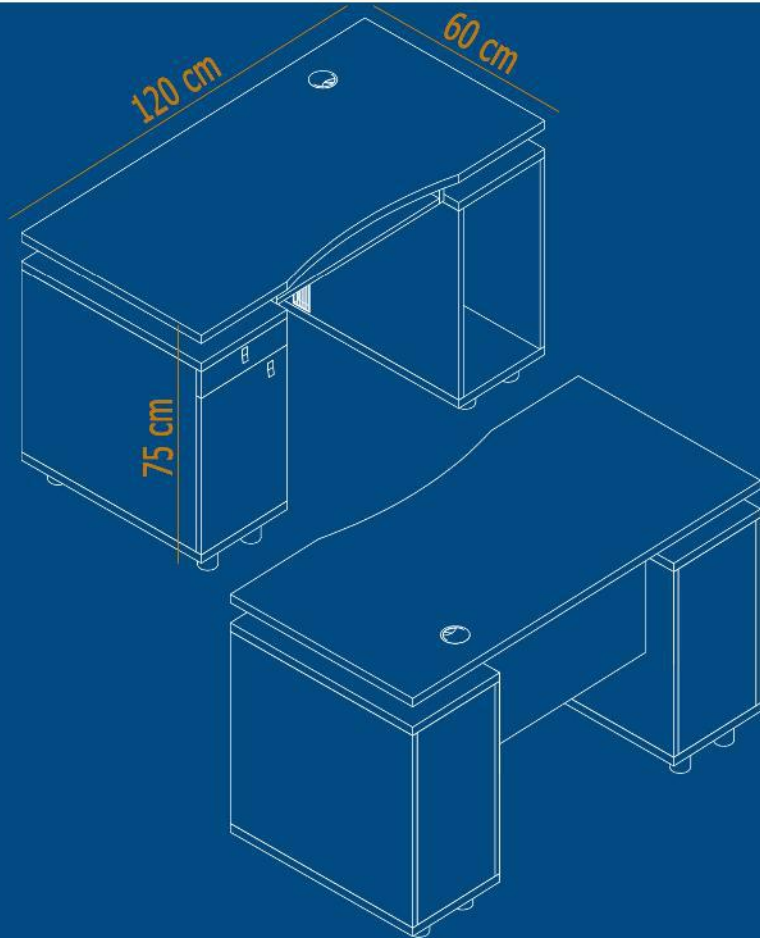


IC300-CLERK Desk



IC-300

IC300 clerk desk is a **classic** desk with 120x60cm dimensions. You can create a classic environment by combining this product with the following products: IM200, IA100, &...



IC-300



IC400-CLERK Desk



IC-400

IC400 clerk desk is a **neoclassical** desk with 120x60cm dimensions. You can create a neoclassical environment by combining this product with the following products: IM400, IA200, &...

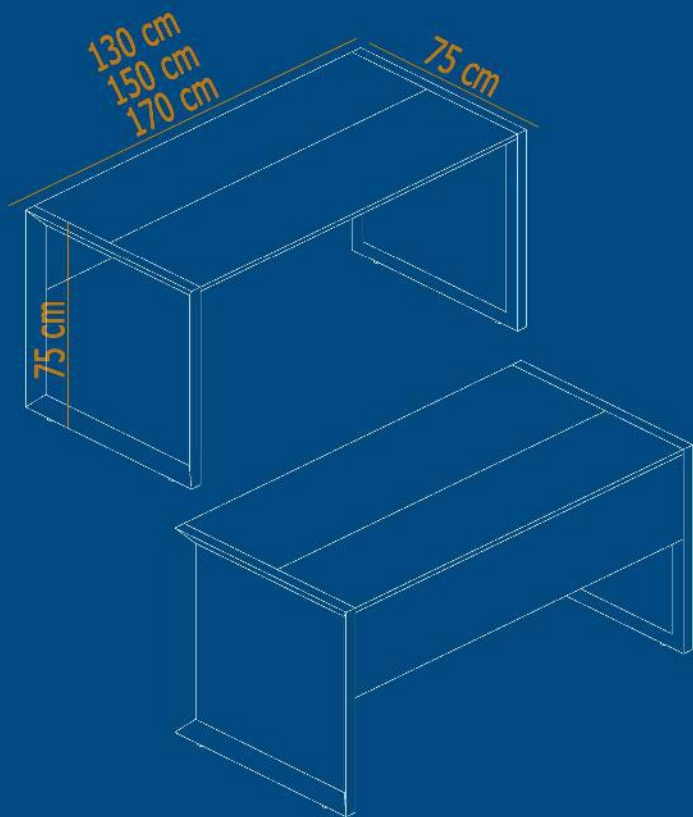


IC600-CLERK
Desk



IC-600

IC600 clerk desk is a **modern** desk with 130 x 75cm and 150 x 75cm and 170 x 75cm dimensions. You can create a modern environment by combining this product with the following products: IM550, IA500, &...

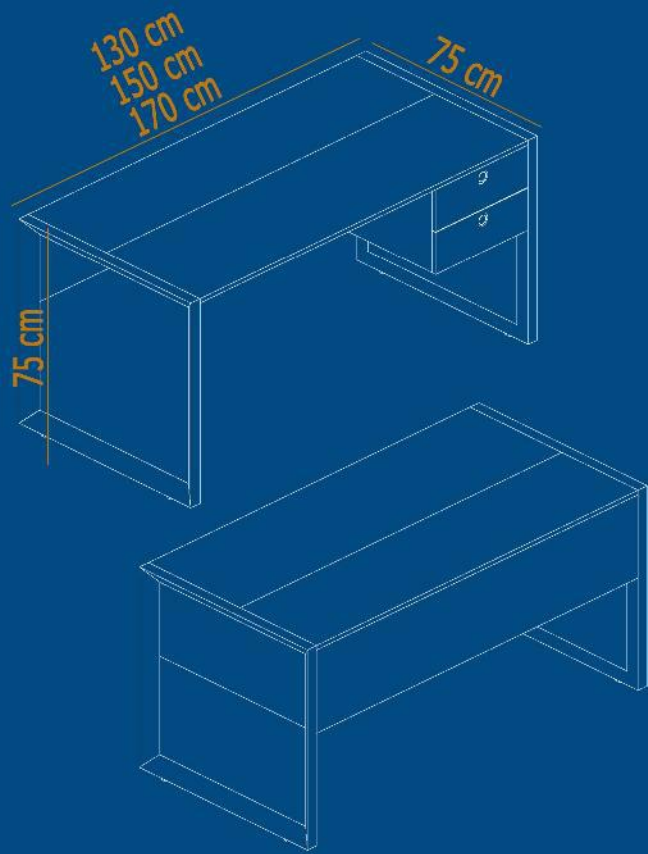


IC600-2-CLERK
Desk



IC-600-2

IC600-2 clerk desk is a **modern** desk with 130 x 75cm and 150 x 75cm and 170 x 75cm dimensions. You can create a modern environment by combining this product with the following products: IM550, IA500, &...

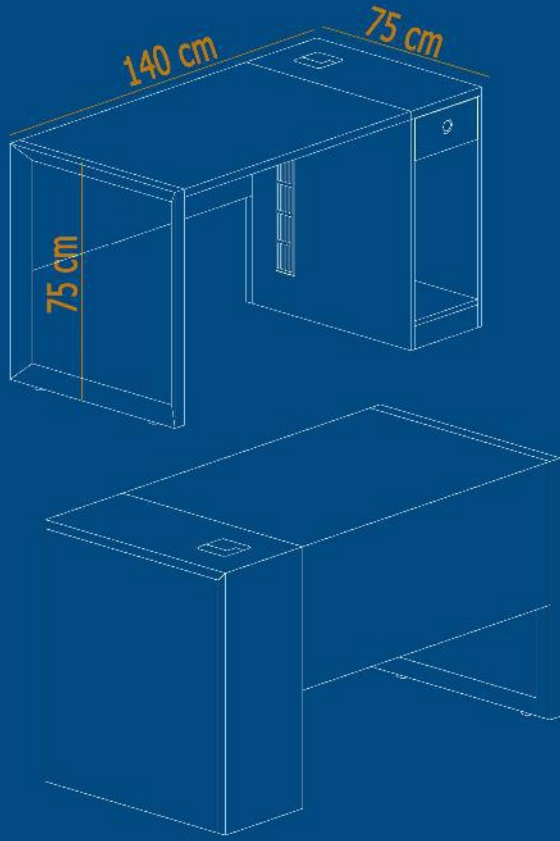


IC700-CLERK
Desk



IC-700

IC700 clerk desk is a **modern** desk with 140 x 75cm dimensions. You can create a modern environment by combining this product with the following products: IM400, IA100-1, &...



WORKSTATION Desks



Today, modern office design has brought many changes in the work environment. With the of the open-space idea , the traditional design of offices that was common a few years ago is not seen now, and in this way, the sales of group teamwork desks and office partitions have increased.

The meaning of traditional offices is that each employee works separately in a separate room and office desk, away from the rest of the staff. This open space design brings employees together in a common work environment and creates a sense of collaboration and a special and unique culture in companies

WORKSTATION
Serise

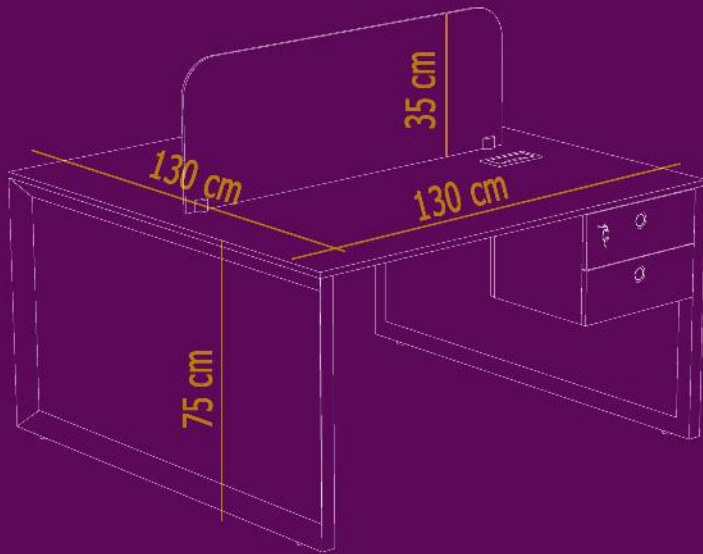
IW600 & IW600-1-WORKSTATION

Desk



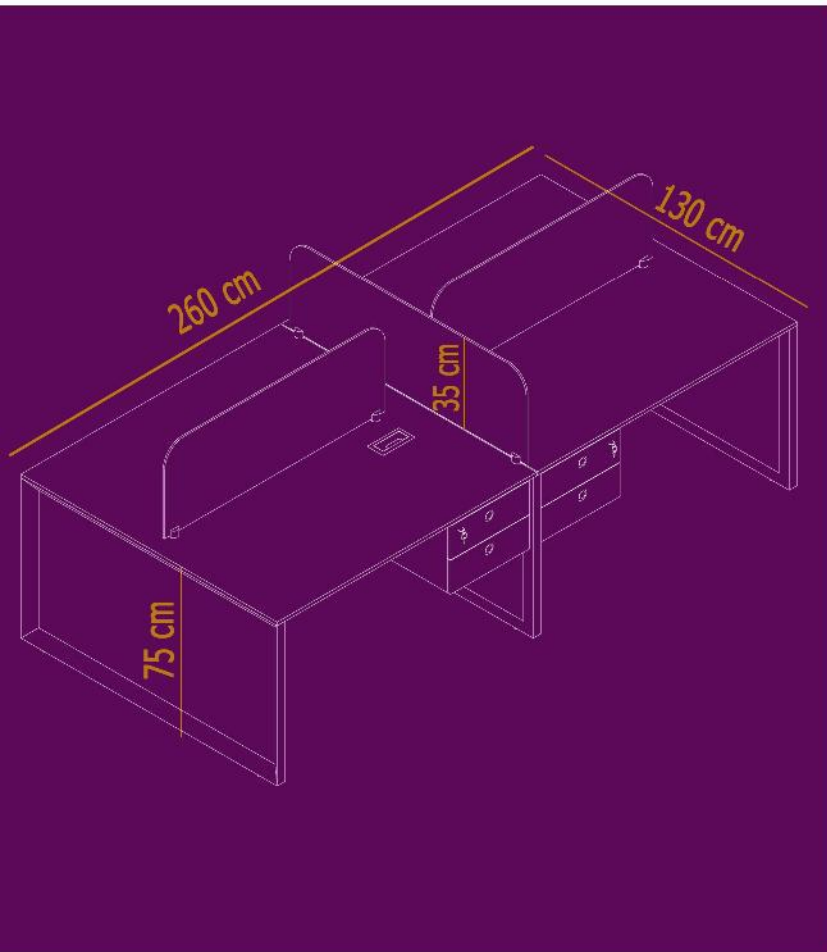
IW-600

IW600 Workstation desk is a **modern** desk with 130x130cm dimensions. You can create a modern environment by combining this product with the following products: IM550, IA500, IW600-1 &...



IW-600-1

IW600-1 Workstation desk is a **modern** desk with 260x130cm dimensions. You can create a modern environment by combining this product with the following products: IM550, IA500, IW600 &...



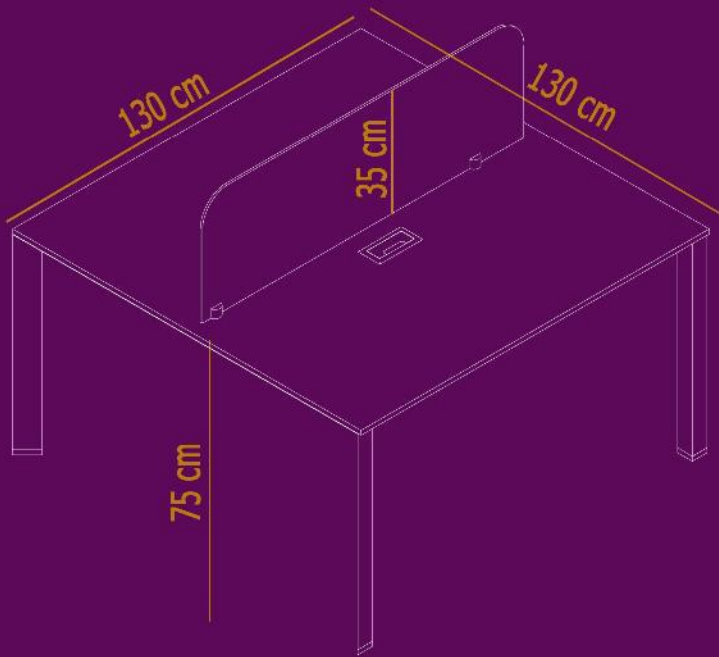
IW700 & IW700-3-WORKSTATION

Desk



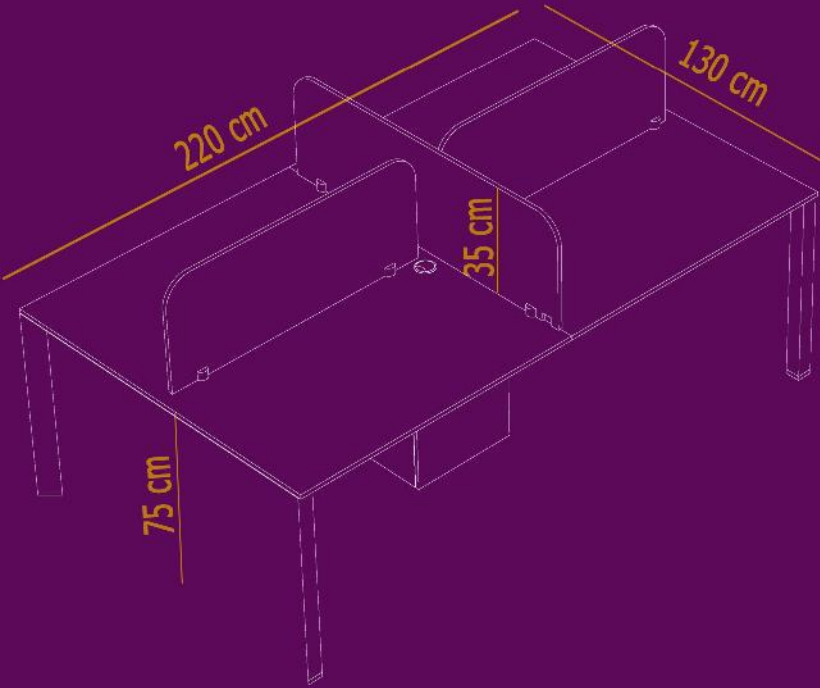
IW-700

IW700 Workstation desk is a **modern** desk with 130x130cm dimensions. You can create a modern environment by combining this product with the following products: IM550, IA500, IW700-1 &...



IW-700-3

IW700-3 Workstation desk is a **modern** desk with 220x130cm dimensions. You can create a modern environment by combining this product with the following products: IM550, IA500, IW700 &...



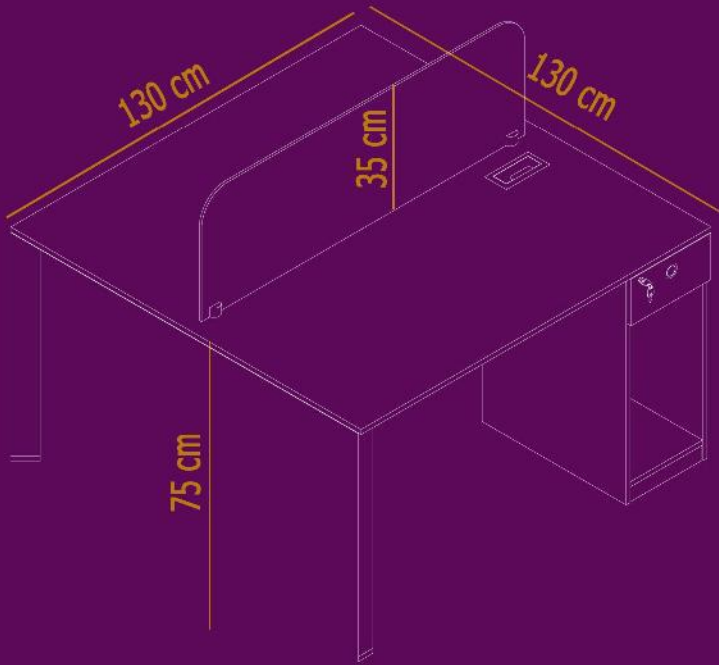
IWL700 & IWL700-1-WORKSTATION

Desk



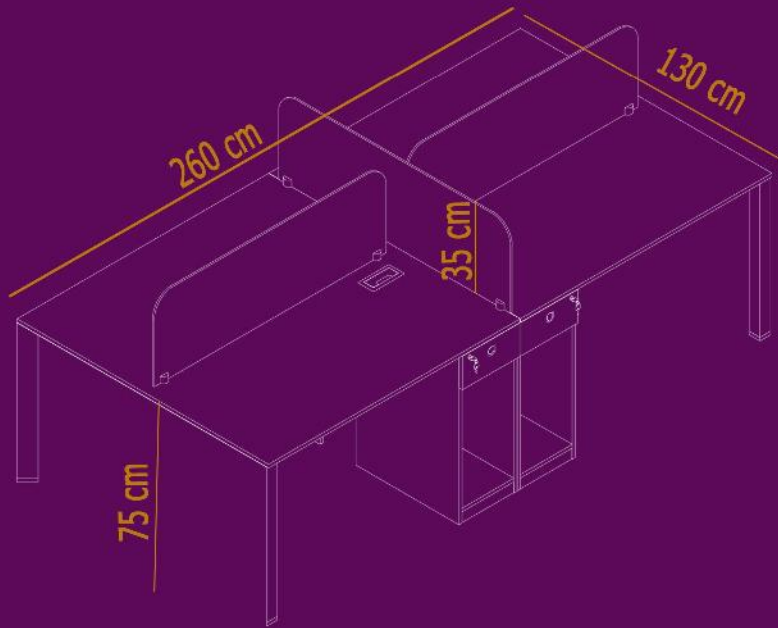
IW-700-1

IW700-1 Workstation desk is a **modern** desk with 130x130cm dimensions. You can create a modern environment by combining this product with the following products: IM550, IA400, IE700 &...



IW-700-2

IW700-2 Workstation desk is a **modern** desk with 260x130cm dimensions. You can create a modern environment by combining this product with the following products: IM550, IA400, IW700-1 &...



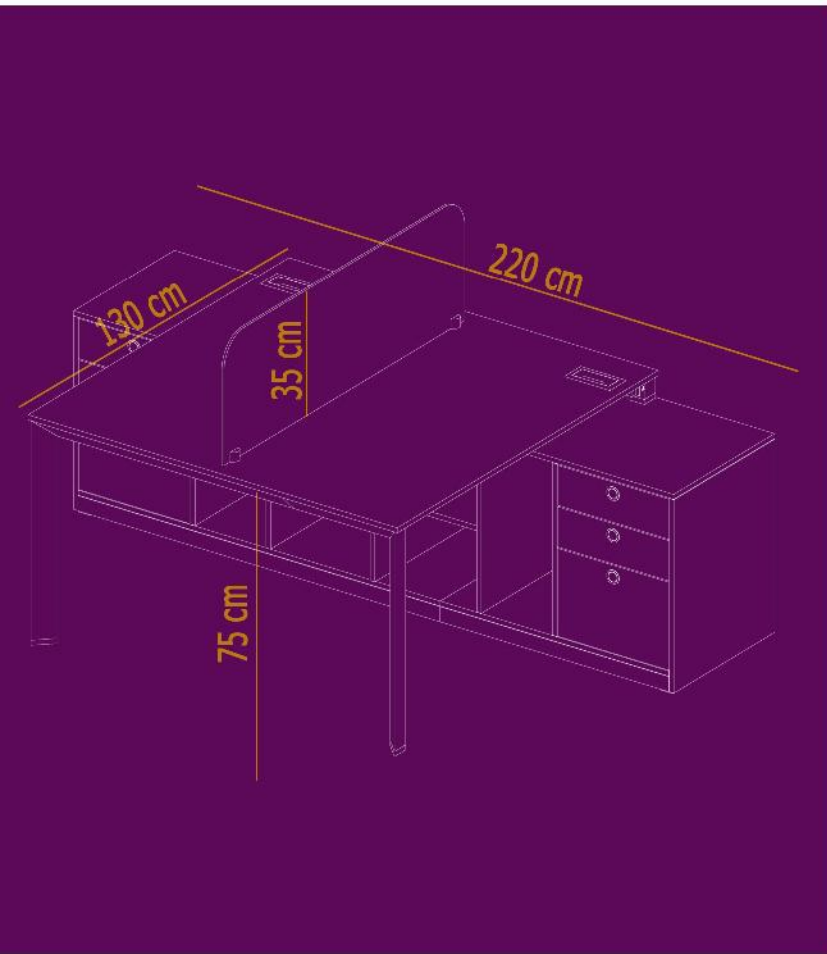
IWL700 & IWL700-1-WORKSTATION

Desk



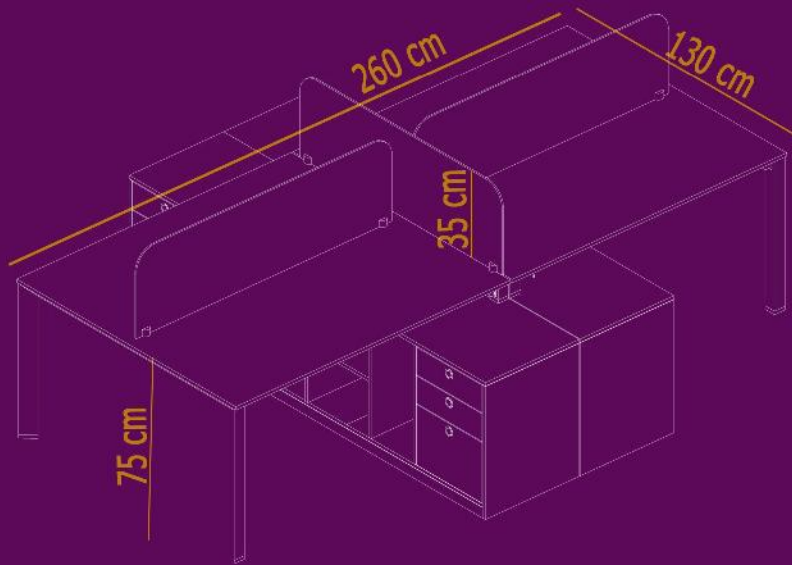
IWL-700

IWL700 Workstation desk is a **modern** desk with 220x130cm dimensions. You can create a modern environment by combining this product with the following products: IM550, IA400, IW700 &...



IWL-700-1

IWL700-1 Workstation desk is a **modern** desk with 260x130cm dimensions. You can create a modern environment by combining this product with the following products: IM550, IA400, IW700 &...



MODULAR Desks



Nowadays, cause of the Overcrowding in the metropolis and also since the office spaces, as well as due to the fact that most of the businesses are tenants, the need to use desks that have the ability to change the arrangement is felt more than ever.

ISTA modular desks are designed in response to this need and in various sizes so that it is possible to use them at different level of positions, including employe, expert even conference, etc.

MODULAR
Serise

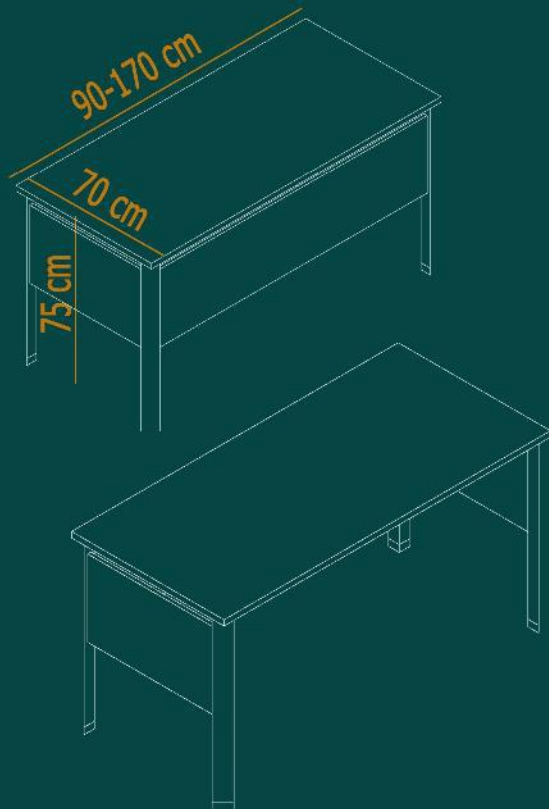
ID100-MODULAR Desk

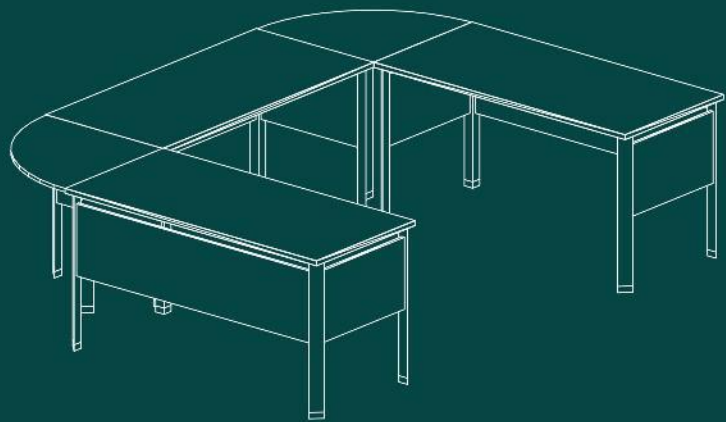


ID-100 Serise

ID100 series desks are modern modular desks with dimensions of 90x70, 110x70, 130x70, 150x70, 170x70 cm. You can create a modern environment by combining this product with the following products:

IM550, IE500-3, IE700 &...





RECEPTION Desk



The first thing a customer sees after entering your office is the reception desk.

The reception counter is as important as the first encounter, so choosing a reception desk is as important as other office desks. Due to the great importance of this table, Ista Company, the leading table manufacturer, has decided to make reception tables with the best quality.

ISTA counters are ideal for the entrance of large office complexes. ISTA reception tables are produced in such a way that their size can be changed according to the dimensions of the space, and for more use, special files are also considered for the reception counter.

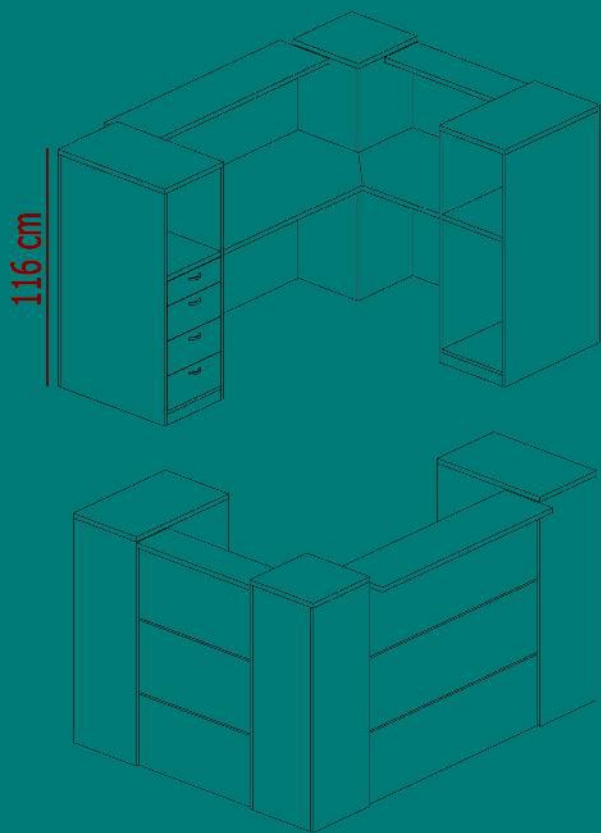
RECEPETION
Desk

IR100-RECEPTION Desk



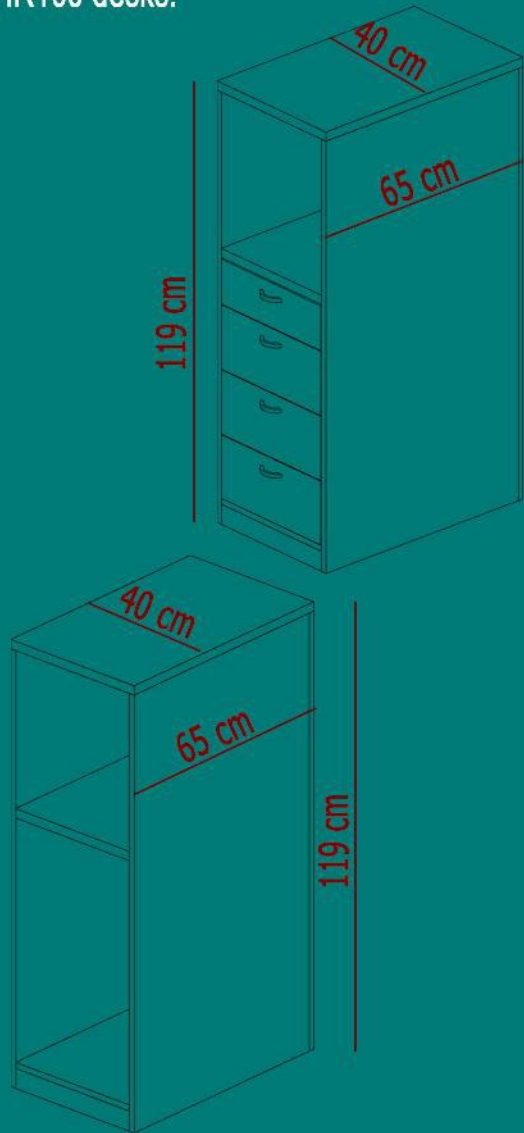
IR-100

IR100 reception desk is a **modern** desk. Also, this is a desk with interchangeable dimensions. You can create a modern environment by combining this product with the following products:
IE200, IE400, IM400 &...

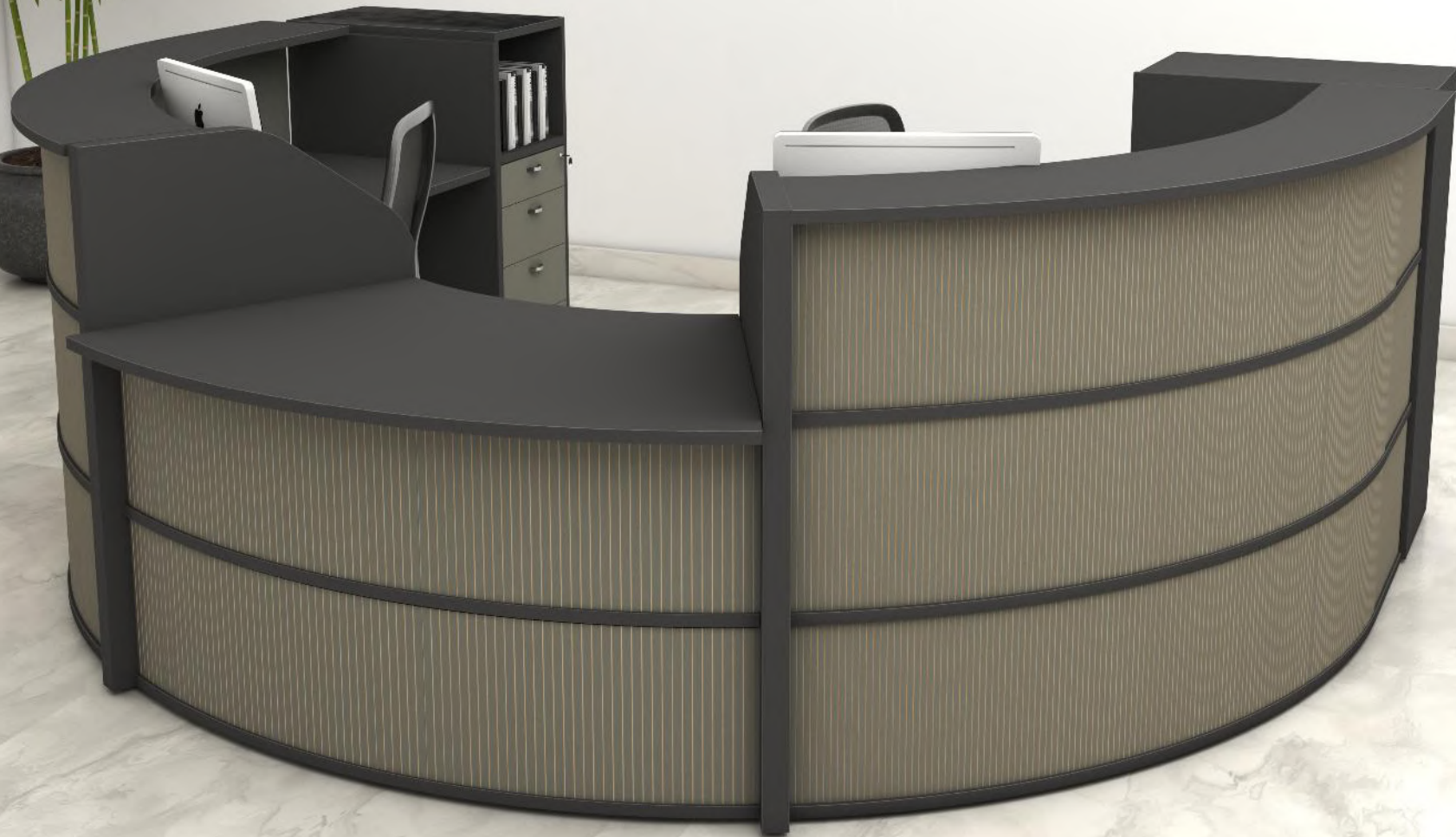


IRF-100 & IRC-100

IRF100 & IRC100 are complementary products that provide more facilities and space to the user of IR100 desks.

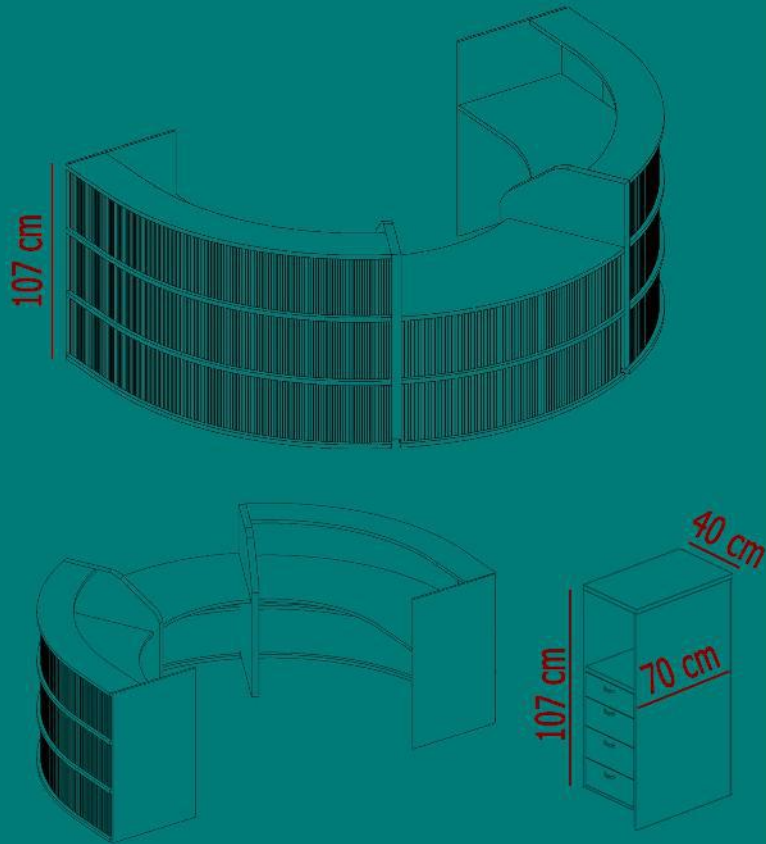


IR200-RECEPTION Desk



IR-200

IR200 reception desk is a **modern** desk. You can create a modern environment by combining this product with the following products:
IE500-3, IE200, IM600 &...



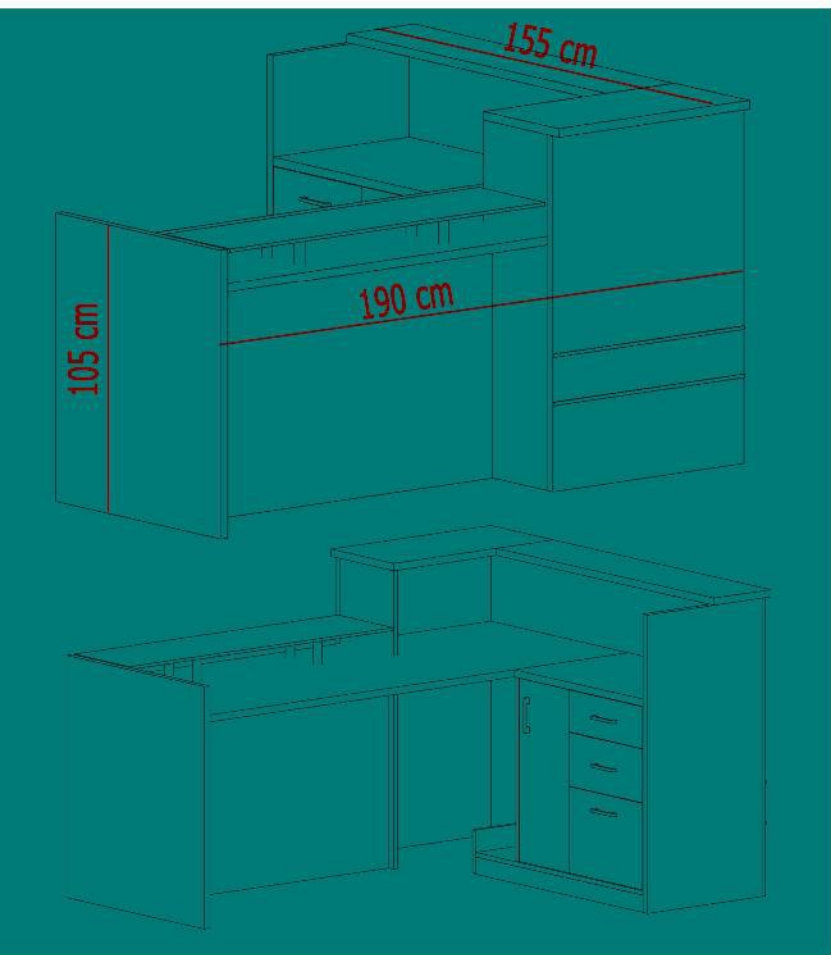
IRF200 is a complementary product that provide more facilities and space to the user of IR200 desk. Also, the dimensions of this product are 70 x 40 cm.

IR300-RECEPTION Desk



IR-400

IR400 reception desk is a **modern** desk. You can create a taller reception desk by combining this product with IRG400.

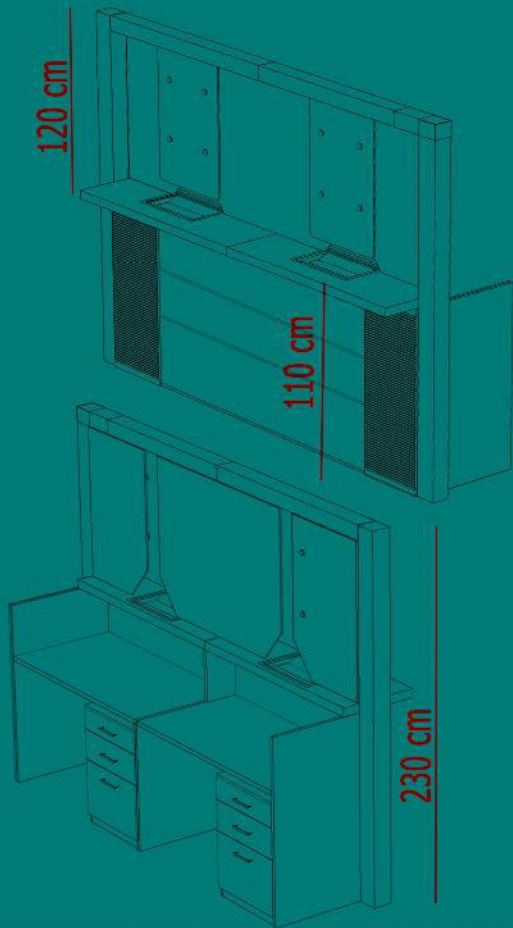


IR400 & IRG400-RECEPTION Desk



IR-400 & IRG-400

IR400 reception desk is a **modern** desk. You can create a taller reception desk by combining this product with IRG400.



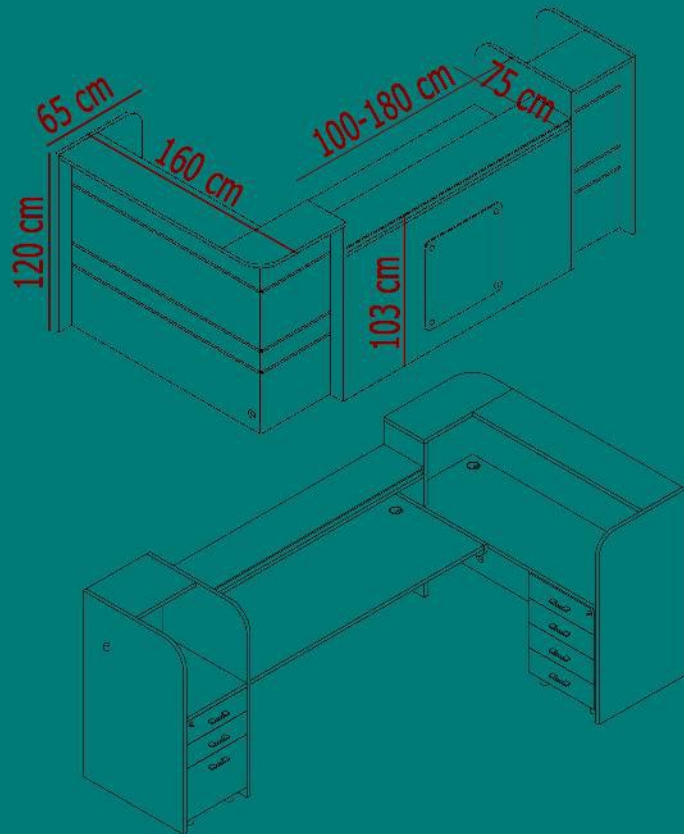
IR500 & IRL500-RECEPTION Desk



IR-500 & IRL500

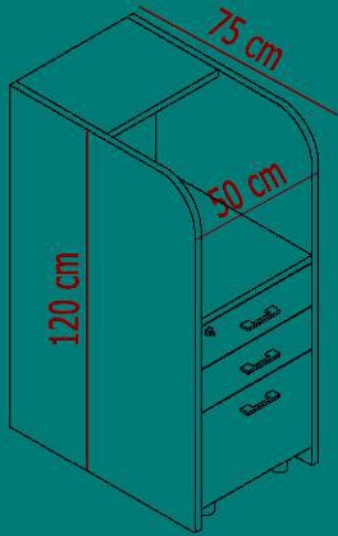
IR500 & IRL500 reception desk are **modern** desks. IR500 with 100,120,140,160,180 x 103 cm dimensions and IRL500 160 x 65 cm. You can create a modern environment by combining these products together with the following products:

IRL500, IRF500-3, IRF500-4



IRF-500-3 & IRF-500-4

IRF500-3 & IRF500-4 are complementary products that provide more facilities and space to the user of IR500 desks.

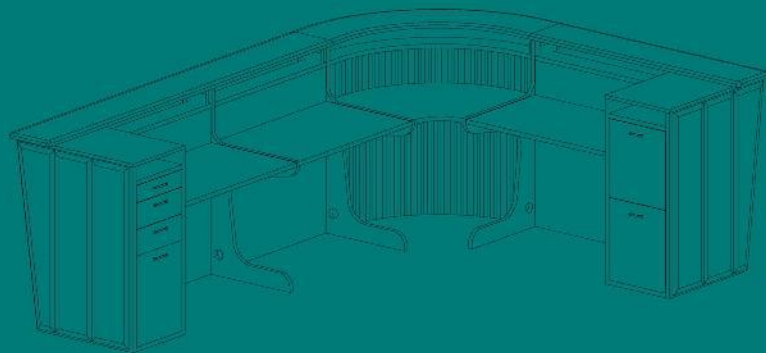
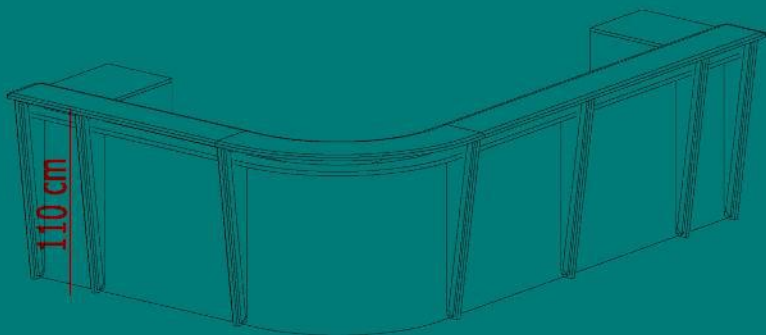


IR600-RECEPTION Desk



IR-600

IR600 reception desk is a **modern** desk. You can create a modern environment by combining this product with the following products:
IRF600, IRU600, &...





SHELFS

Among the types of office furniture, cupboards, files and archives are really necessary items among them. If you have a lot of paperwork in your office or workplace, it's best to use a place to do it before things get out of control. Fortunately, office cabinets come in a variety of sizes, shapes, and styles and can definitely keep your space clutter-free and clean.

SHELVES

IS-SHELVES
series



ISG series

ISG shelves are designed in different type of dimension so you can order this product according to your needs.



ISG 195



ISG 160



ISG 120

ISA series

ISA shelves are designed in different type of dimension so you can order this product according to your needs.



ISA 195



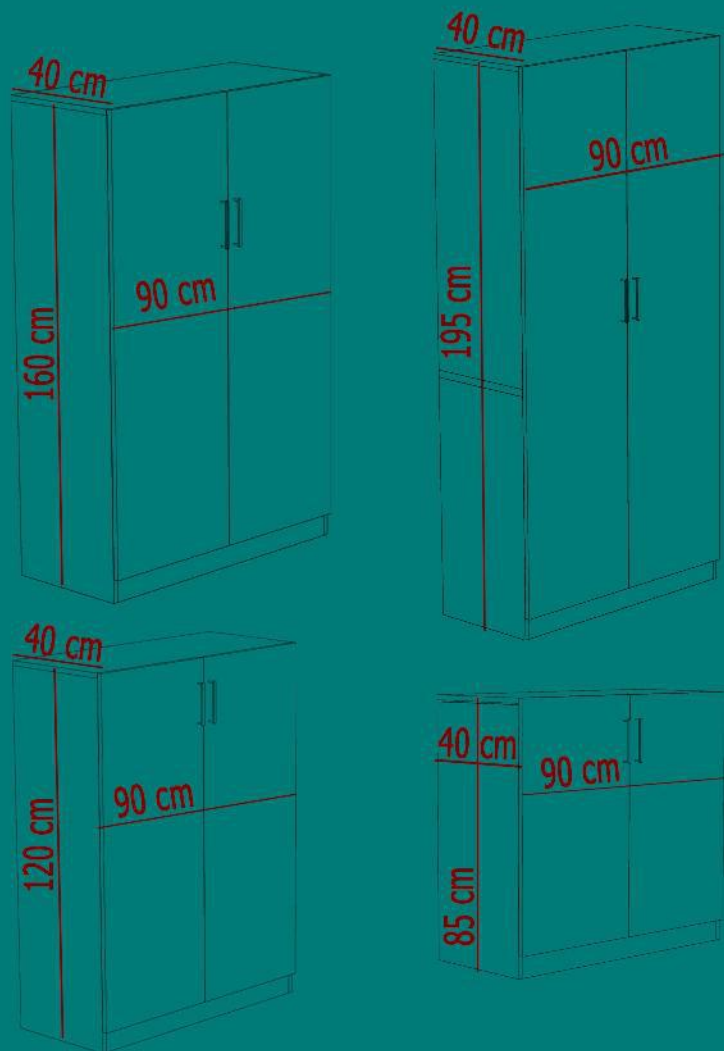
ISA 160



ISA 120

ISW series

ISW shelves are designed in different type of dimension so you can order this product according to your needs.



ISW 195



ISW 85



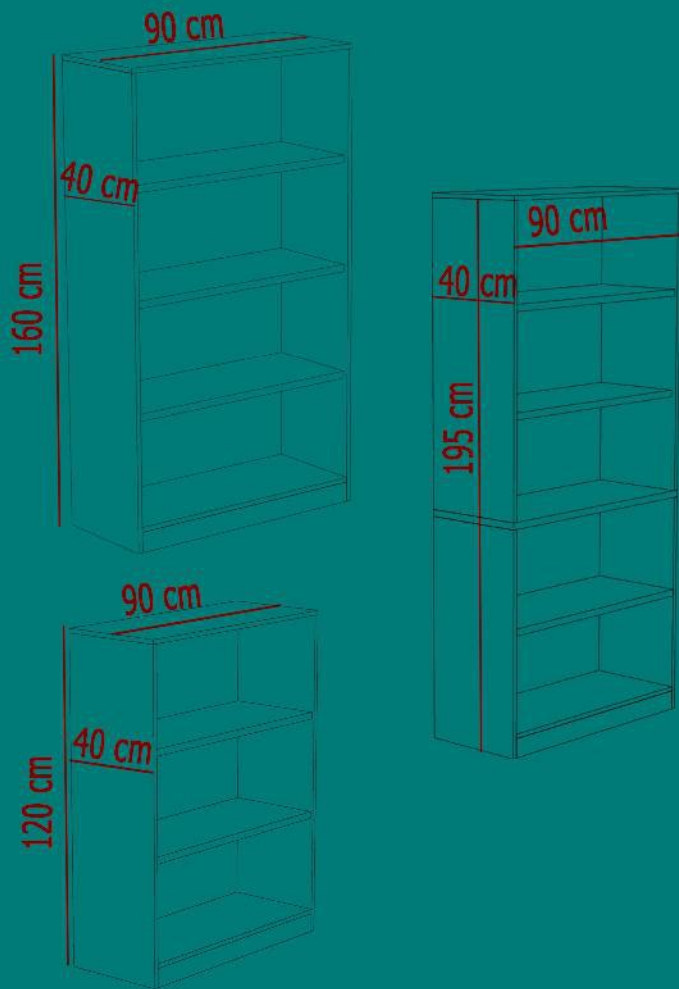
ISW 160



ISW 120

ISC series

ISC shelves are designed in different type of dimension so you can order this product according to your needs.



ISC 195



ISC 160



ISC 120

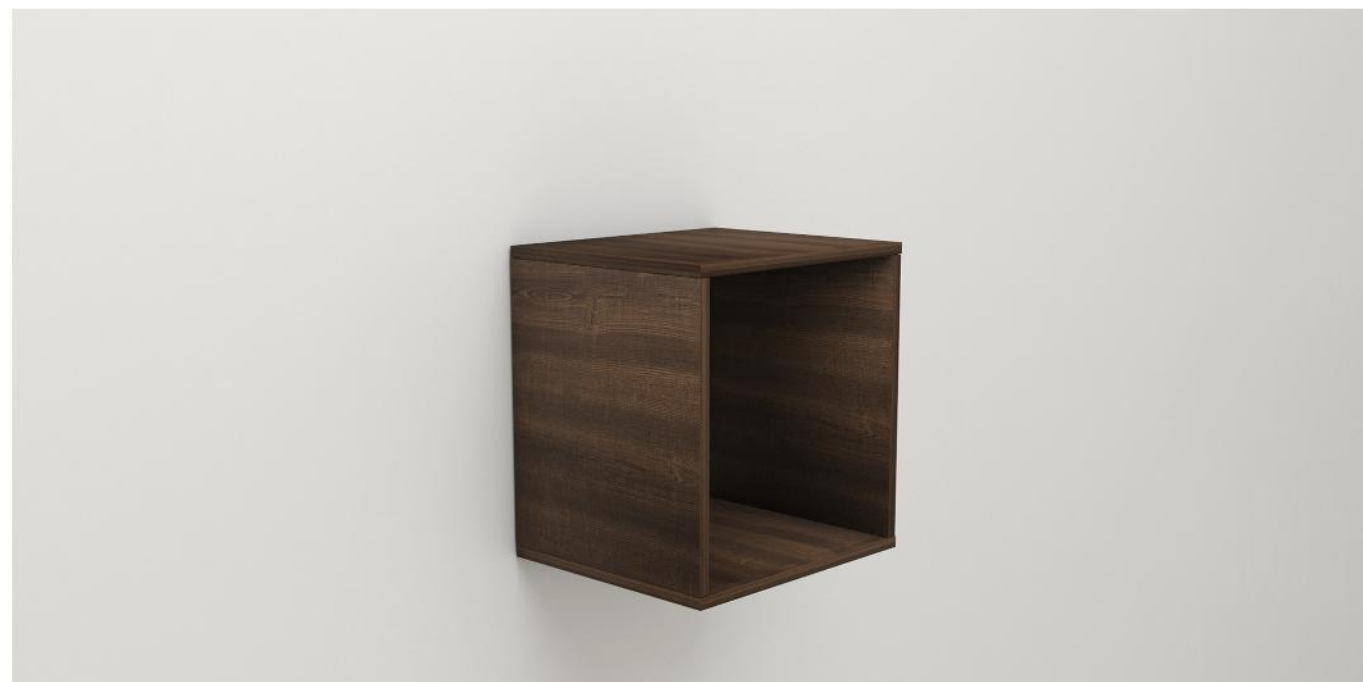
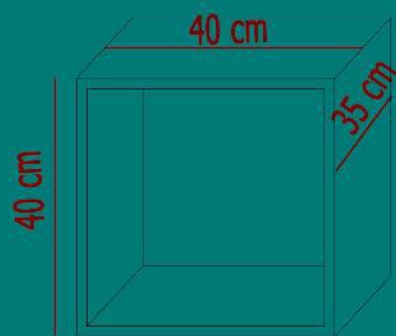
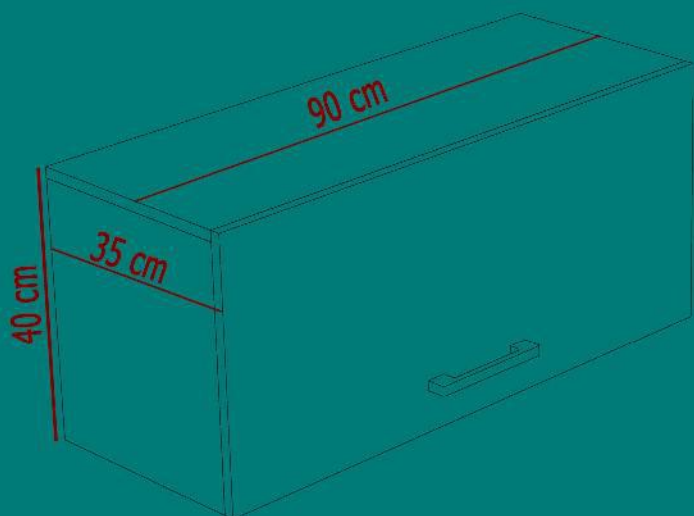
ISWG180, ISD165, ISR195

These shelves are designed in different type and you can order this product according to your needs.



IS-101, IS-200

These shelves are designed in different type and you can order this product according to your needs.



FILE CABINET

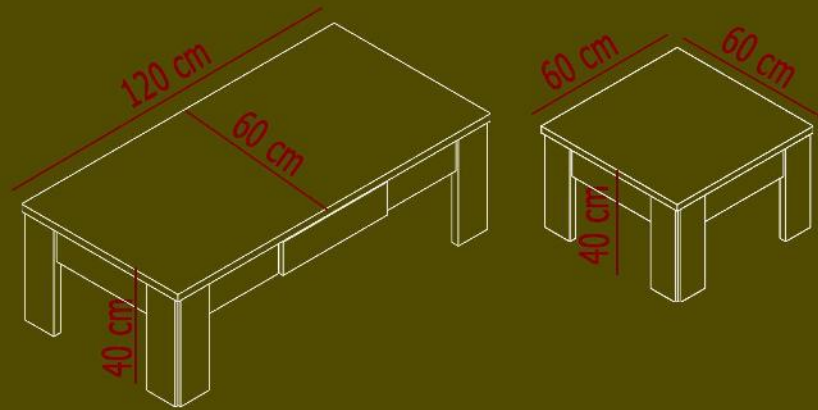
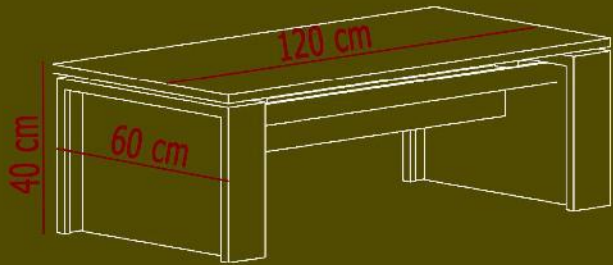
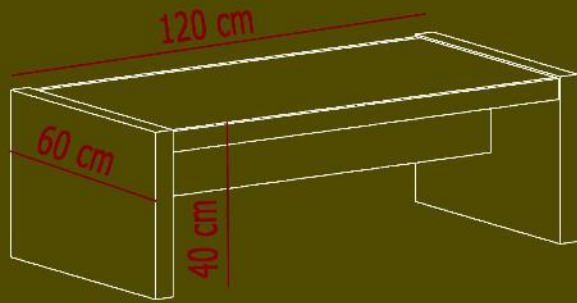


Filing cabinet is a place where you can easily store documents and any other items, including personal items that you use at work. In fact, the filing cabinet is used to organize the environment and is considered one of the most essential tools in the office environment. An office file should provide you with enough space and every part of it should be suitable for all types of your devices.

FILE CABINET

ICT series

ICT tables are designed in different type so you can order this product according to your office interior design and needs.



ICT 200



ICT 600-1



ICT 300-120



ICT 300-60

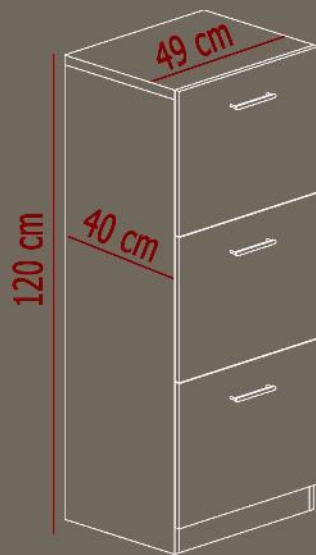
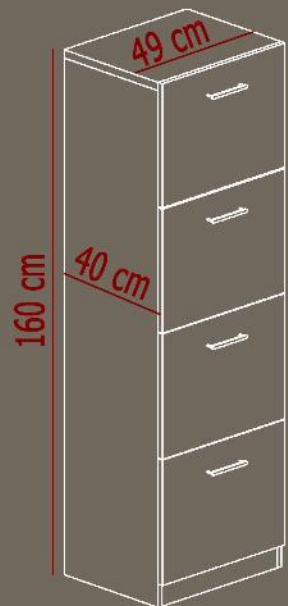
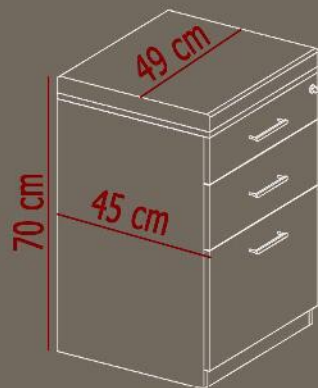
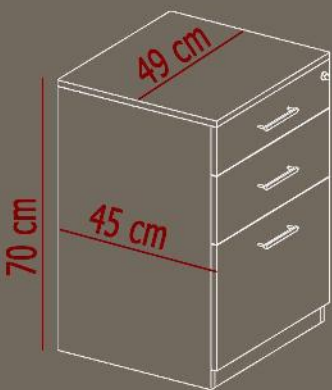
IF-FILE CABINET

series



IF series

IF cabinets are designed in different type of dimension so you can order this product according to your needs.



IF 300



IF 300T



IF 400



IF 300-120



COFFEE TABLE

A coffee table is next to a piece of furniture that a person can sit on, such as a chair & sofa. Its main purpose is to ensure easy access to essential items. A small coffee table can have a great effect on the comfort as well as the beauty of the decoration.

A coffee table table is a small & low table that is usually located next to the sofa or in front of that. They may be a place to put a lamp next to the furniture or be used as a place to put glasses and magazines.

COFFEE TABLE

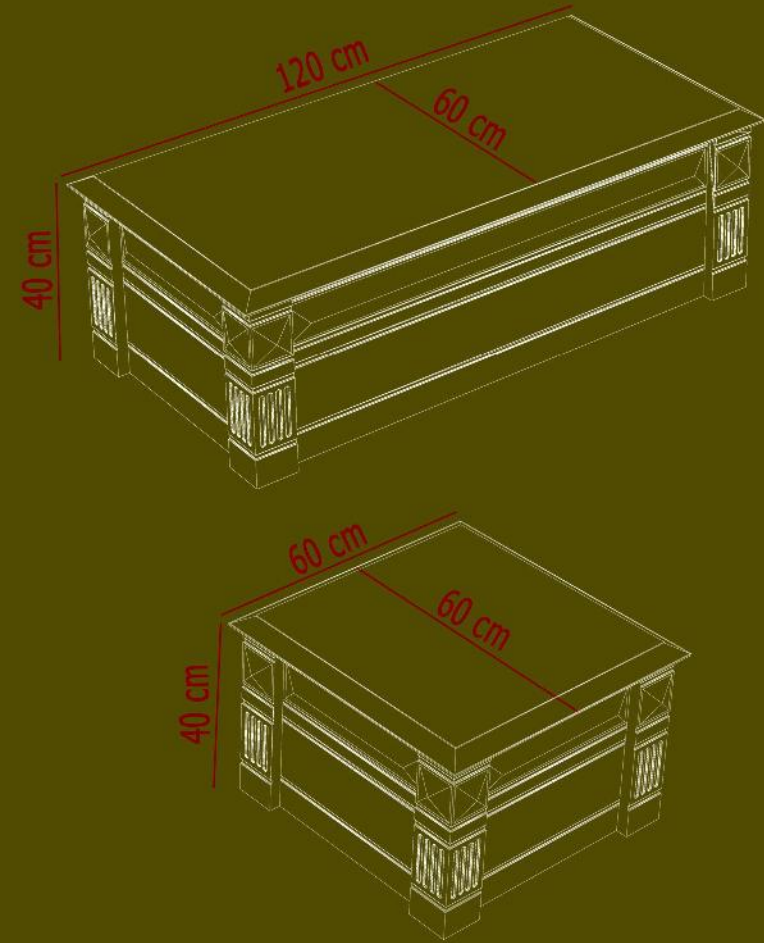
ICT-COFFEE TABLE

series



ICT series

ICT tables are designed in different type so you can order this product according to your office interior design and needs.



ICT 900-120



ICT 900-60